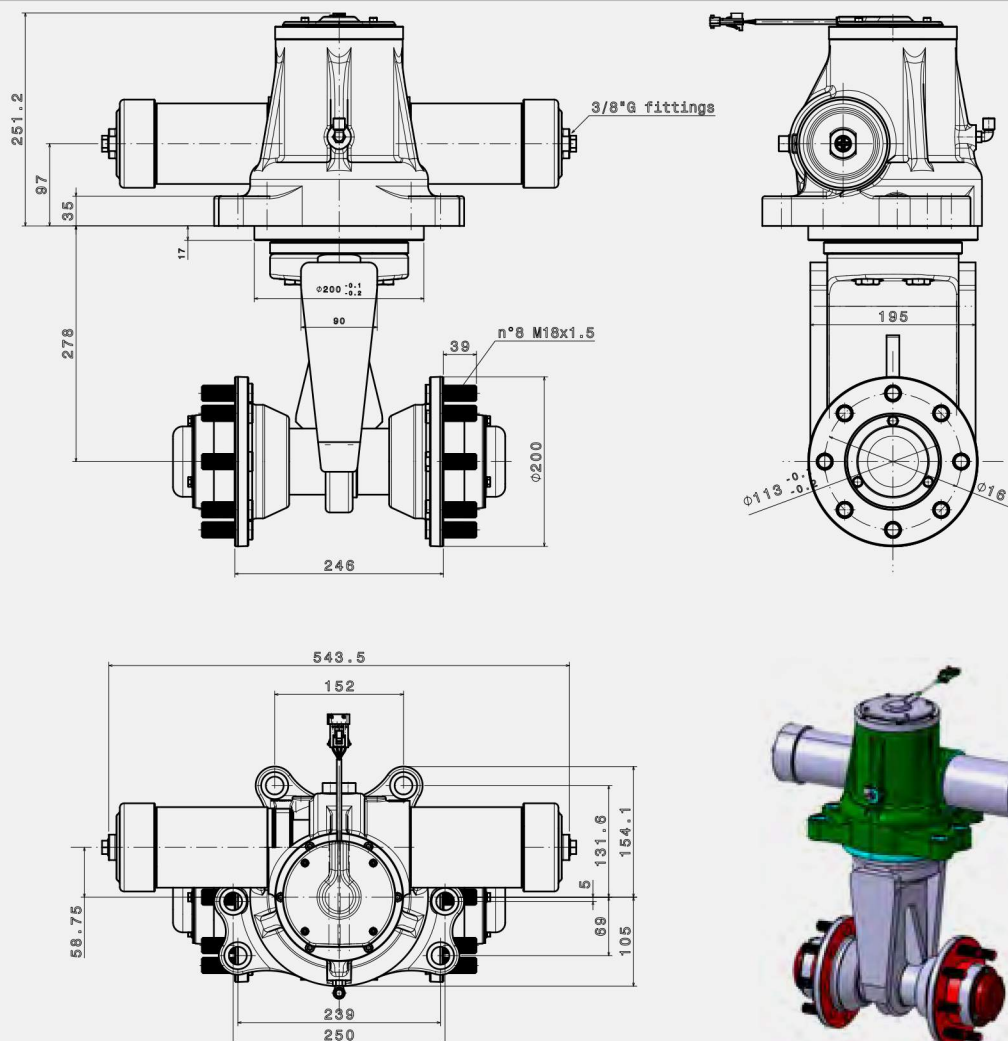


074440000



STATIC LOAD (Kg)

5000

7000

APPLICATION




TECHNICAL SPECIFICATIONS

WEIGHT	122 KG
STATIC LOAD	5000 KG-7000 KG
OIL VOLUME FOR TOTAL STEERING	671 CM ³
MAX ANGLE STEERING	85° - 90°

* The centering of the wheel hub, and the diameter of the threaded hole or stud can be made at the request