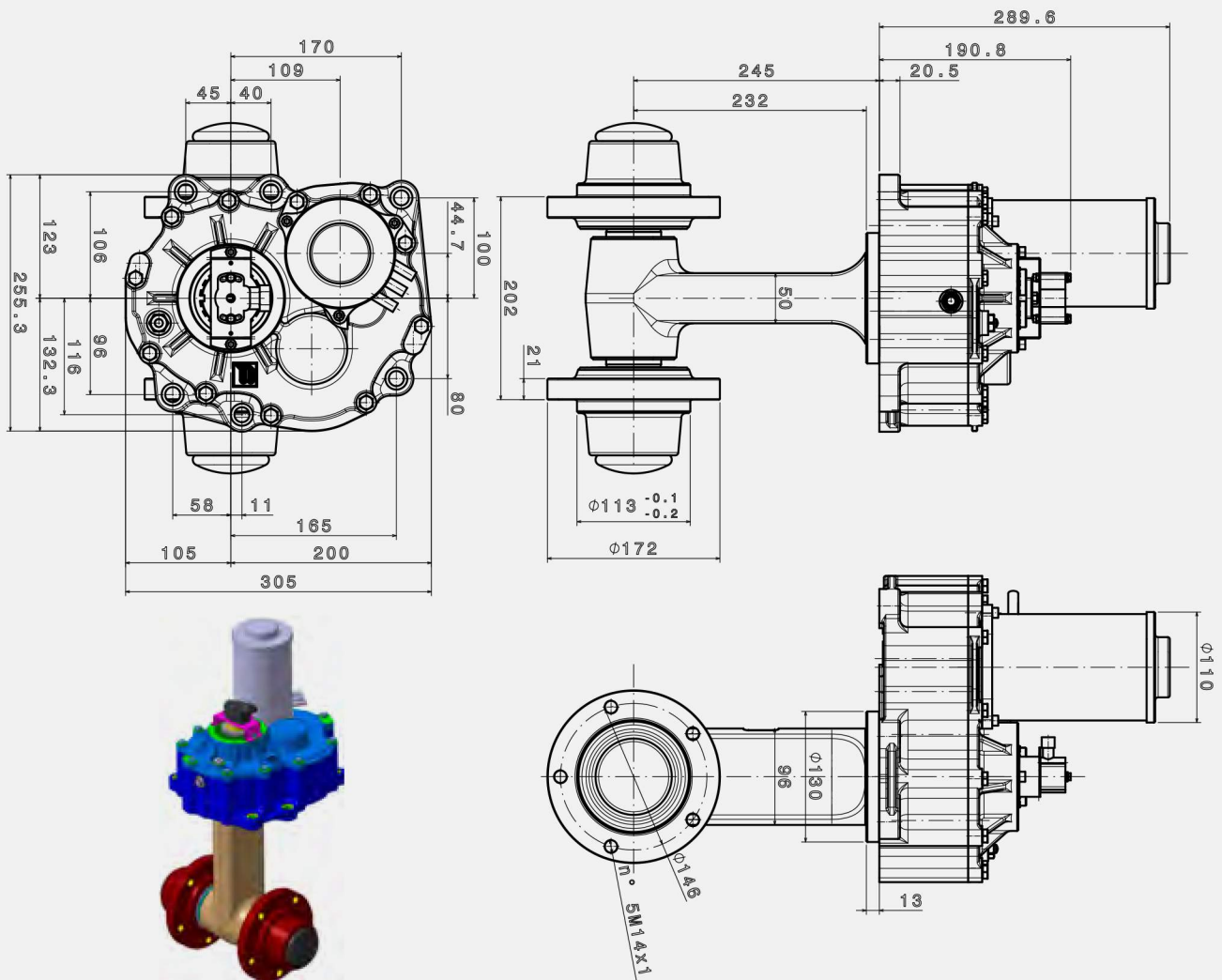


074450000



MAX LOAD ON THE AXLE (Kg)

1800



APPLICATION

TECHNICAL SPECIFICATIONS

MAX LOAD ON THE AXLE	1800 Kg
MAX DYNAMIC LOAD ON EACH WHEEL	400W 48V AC
MAXIMUM CURRENT SUPPLY	43A
MAXIMUM OUTPUT TORQUE	990 Nm
REDUCTION RATIO	1:160
ALLOWABLE TIRE SIZE	Superelastic 16x6-8
STEERING FEEDBACK	Mechanical or magnetic rotary potentiometer
ELECTRIC STEERING MOTOR	400W 24-48V AC

* The centering of the wheel hub, and the diameter of the threaded hole or stud can be made at the request