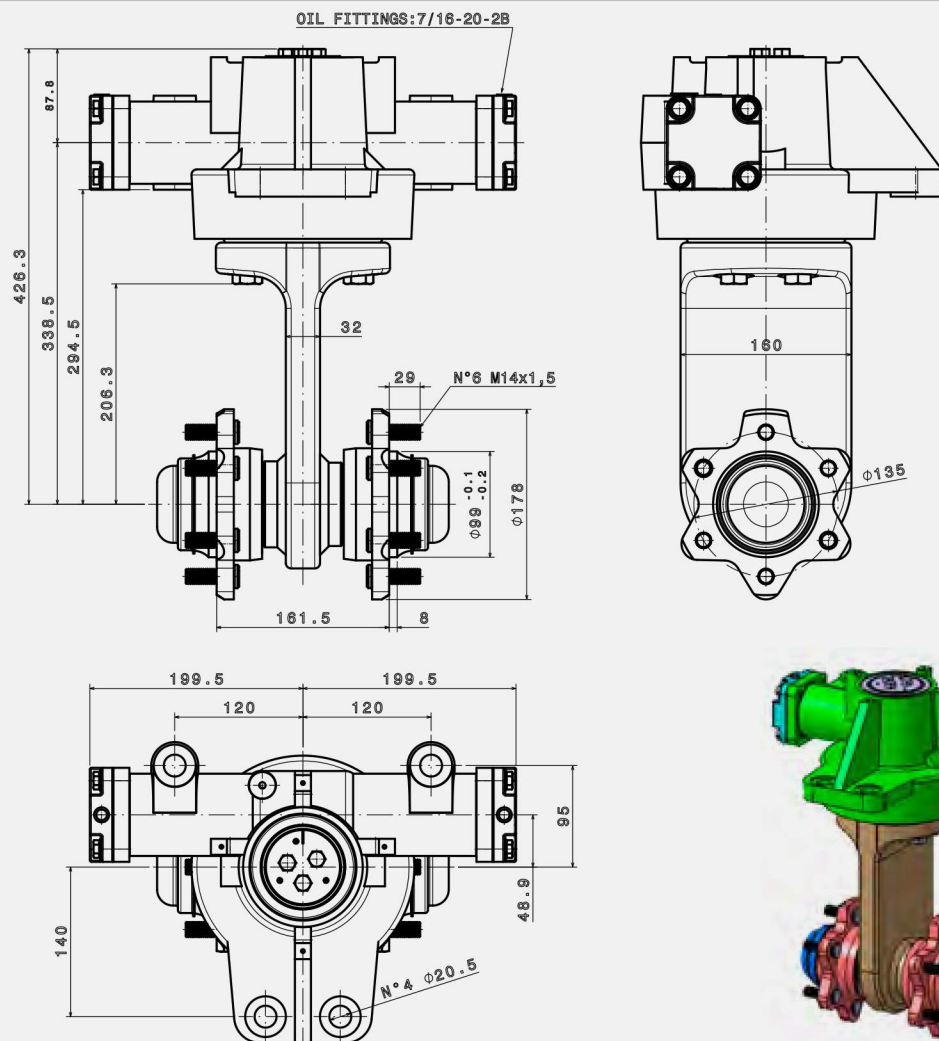


# 471030000



STATIC LOAD (Kg)



APPLICATION

## TECHNICAL SPECIFICATIONS

WEIGHT	59 KG
STATIC LOAD	2000 KG
OIL VOLUME FOR TOTAL STEERING	266,8 CM <sup>3</sup>
MAX ANGLE STEERING	85° - 90°

\* The centering of the wheel hub, and the diameter of the threaded hole or stud can be made at the request