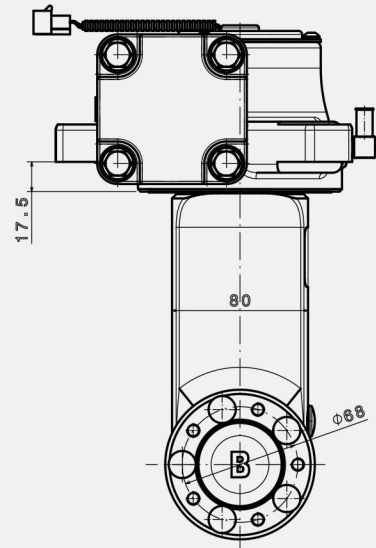
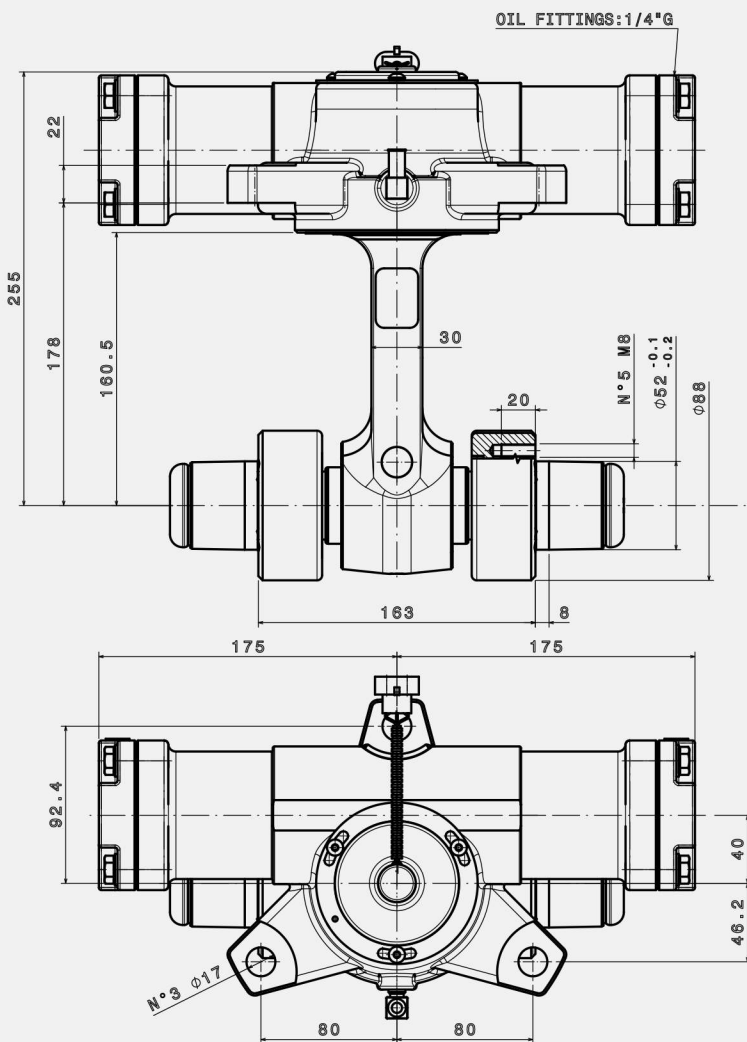


# 536020000



**STATIC LOAD (Kg)**

1000



**APPLICATION**

**TECHNICAL SPECIFICATIONS**

<b>WEIGHT</b>	27 KG
<b>STATIC LOAD</b>	1000 KG
<b>OIL VOLUME FOR TOTAL STEERING</b>	170,8 CM <sup>3</sup>
<b>MAX ANGLE STEERING</b>	85° - 90°

\* The centering of the wheel hub, and the diameter of the threaded hole or stud can be made at the request