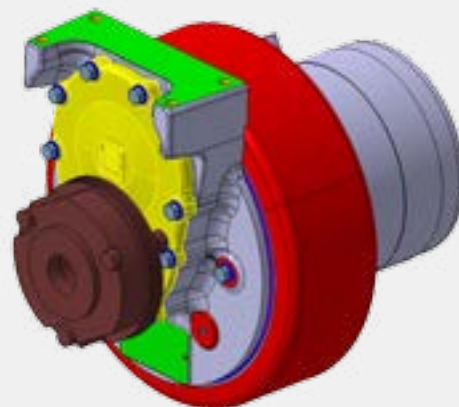
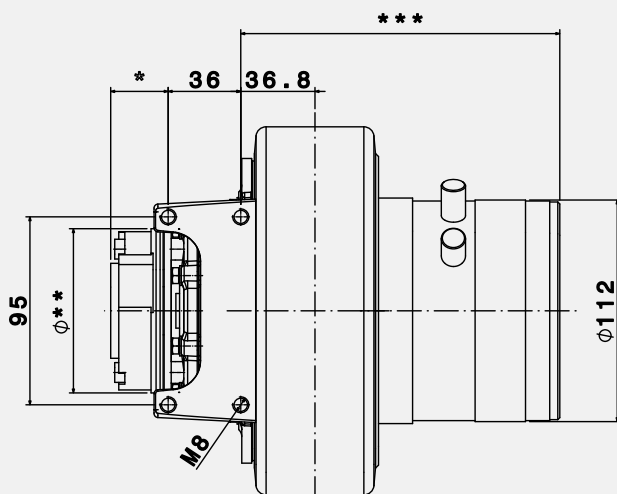
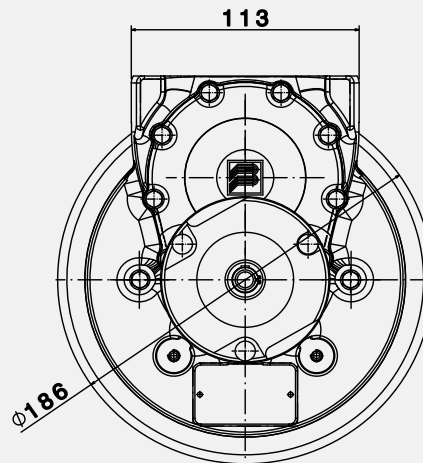
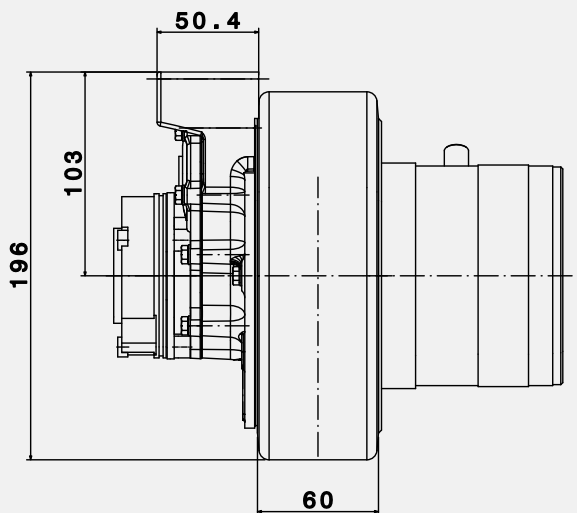


# EBo190



## APPLICATION

MAX LOAD ON THE WHEEL (KG) (KG)



## TECHNICAL SPECIFICATIONS

MAX LOAD ON THE WHEEL	400 kg
TIRE MATERIAL	Polyurethane
MAX SPEED	4 km/h
REDUCTION RATIO	1:20
MAX CONTINUOUS OUTPUT TORQUE	60 Nm
MAX PEAK OUTPUT TORQUE	80 Nm
TRACTION MOTOR	700W 24V DC PM / 1200W 24V DC SEM/ 700W 24V AC / 1200W 24V AC

EM PARKING BRAKE	5/10 Nm
	24V/48V DC

## CHANGING DIMENSIONS

(*)	28.5 mm with 5Nm brake	(***)	158.2 mm with 700W 24V DC PM
	33.5 mm with 10Nm brake		179.7 mm with 1200W 24V DC SEM
(**)	Ø83 with 5 Nm brake		149 mm with 700W 24V AC
	Ø102 with 10 Nm brake		173.7 mm with 1200W 24V AC