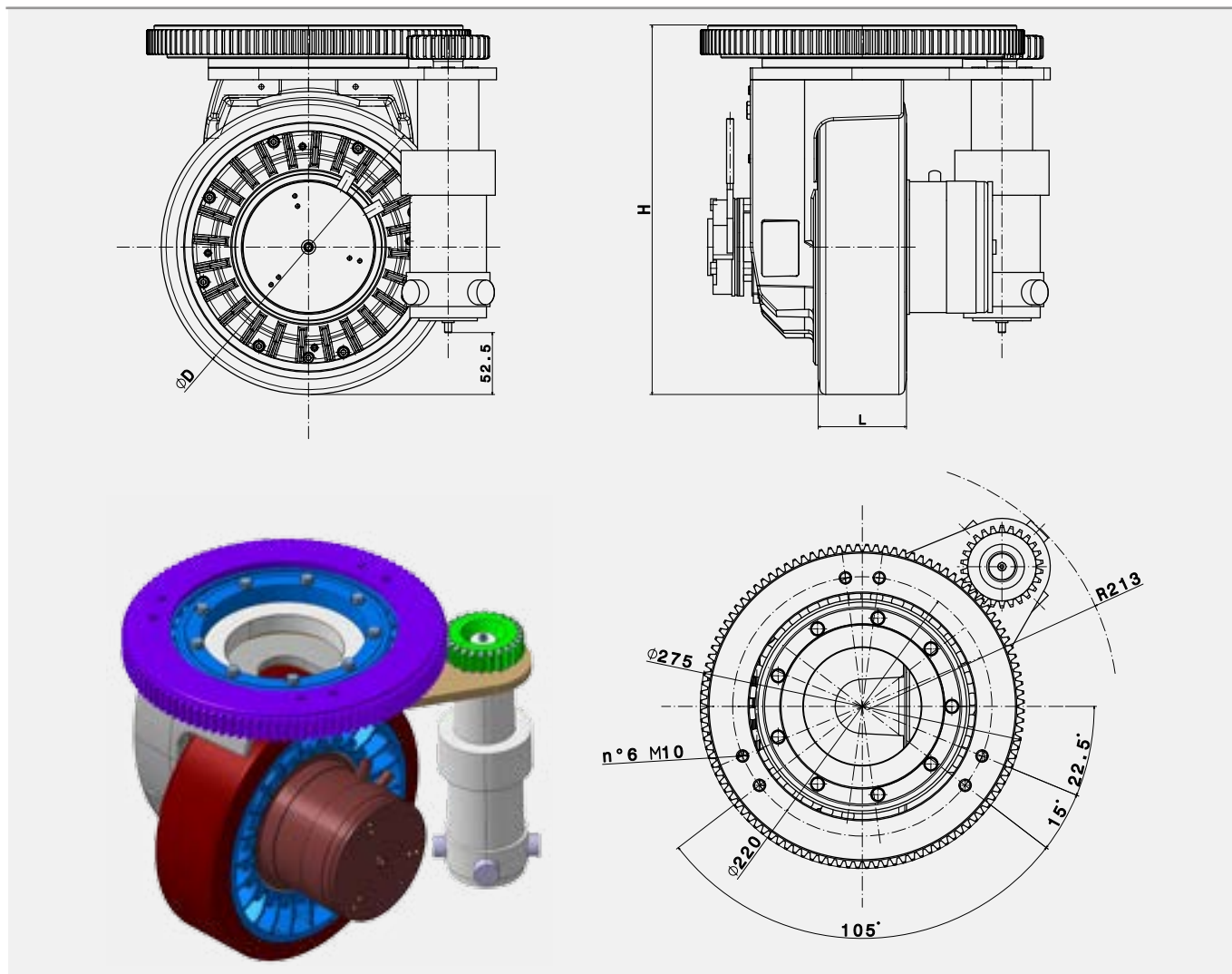


EBo 240S



APPLICATION

MAX LOAD ON THE WHEEL (KG)

700



TECHNICAL SPECIFICATIONS

MAX LOAD ON THE WHEEL	700 kg	TRACTION MOTOR	700W 24V DC PM / 1200W 24V DC SEM
AVAILABLE TIRES	Black rubber Ø240X60		700W 24V AC / 1200W 24V AC
	Polyurethane Ø250X75	STEERING MOTOR	120W 24V DC PM
MAX SPEED	5 Km/h		120W 24V AC
REDUCTION RATIO	1:34.5	EM PARKING BRAKE	5/10 Nm
MAX CONTINUOUS OUTPUT TORQUE	80 Nm		24V/48V DC
MAX PEAK OUTPUT TORQUE	110 Nm	HEIGHT H	308.5 mm with Ø240 tire
			313.5 mm with Ø250 tire