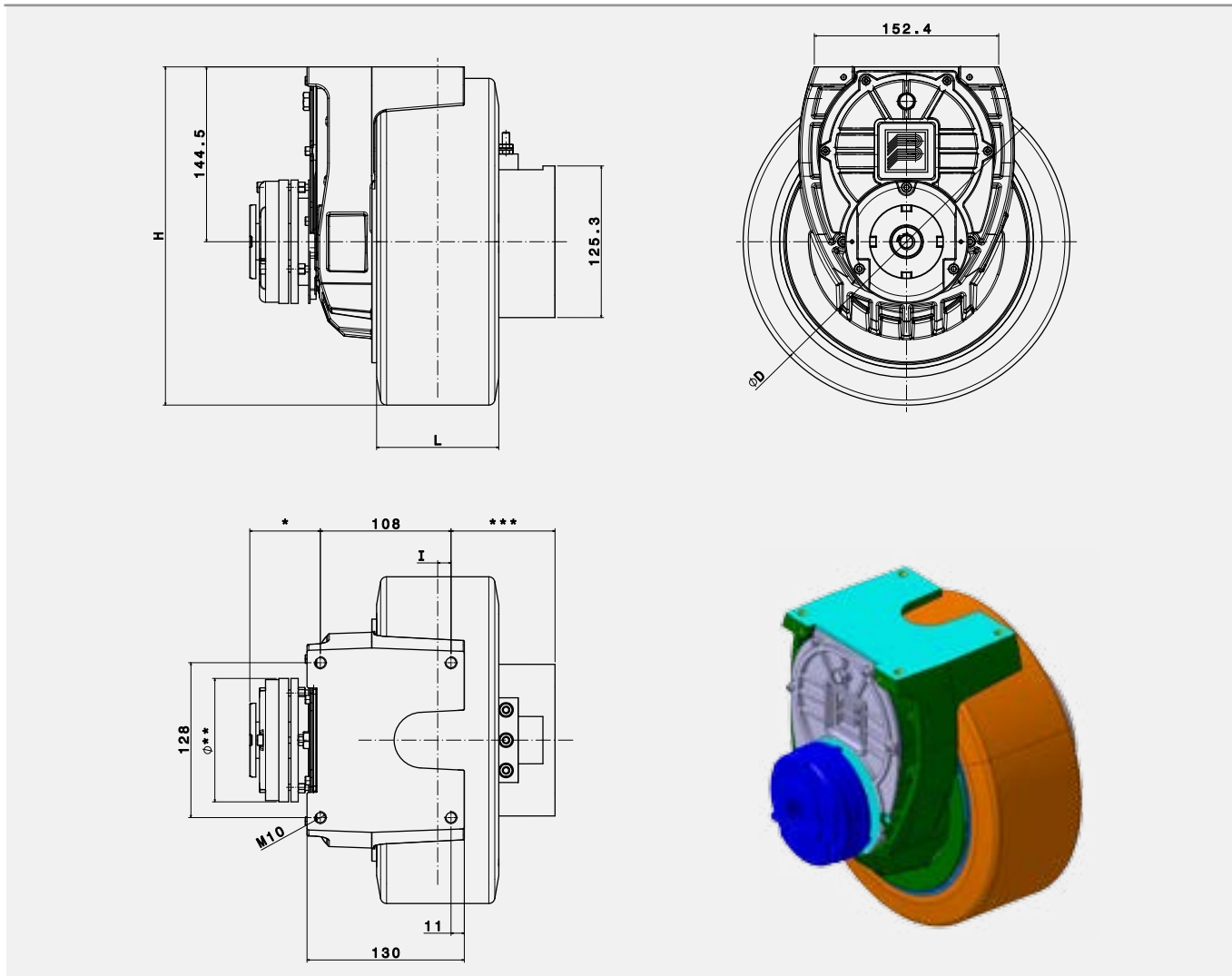


EBo 270



APPLICATION



MAX LOAD ON THE WHEEL (KG)

1200

TECHNICAL SPECIFICATIONS

MAX LOAD ON THE WHEEL	1200 kg
AVAILABLE TIRES DIMENSIONS ØDXL	Polyurethane Ø250X75 MAX LOAD 100 KG Vulkollan Ø270X101 MAX LOAD 1200 KG
MAX SPEED	5 Km/h
REDUCTION RATIO	1:34.5
MAX CONTINUOUS OUTPUT TORQUE	80 Nm
MAX PEAK OUTPUT TORQUE	110 Nm
TRACTION MOTOR	700W 24V DC PM / 1200W 24V DC SEM 700W 24V AC / 1200W 24V AC
EM PARKING BRAKE	5/10 Nm 24V/48V DC

HEIGHT H	269.5 mm with Ø250 tire 279.5 mm with Ø270 tire
OFFSET I	24 mm with tire 75mm wide 11 mm with tire 101mm wide

CHANGING DIMENSIONS

(*)	51.7 mm with 5Nm brake 56.7 mm with 10Nm brake	(**)	85.6 mm with 700W 24V AC 110.9 mm with 1200W 24V AC
(***)	95.4 mm with 700W 24V DC PM 116.6 mm with 1200W 24V DC SEM		