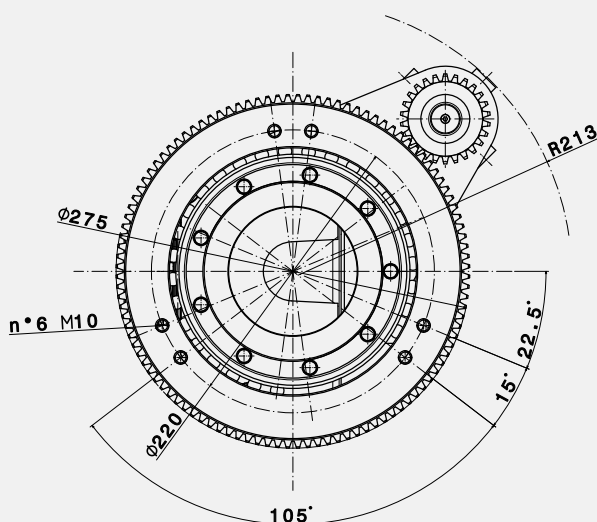
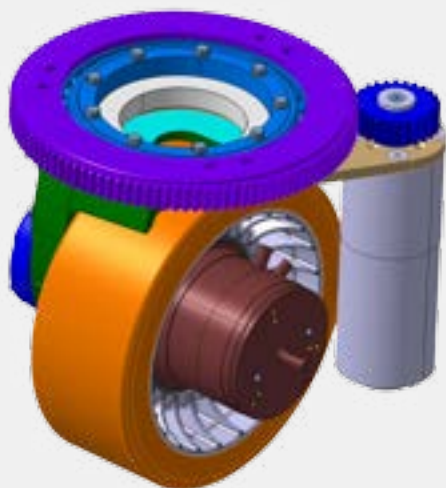
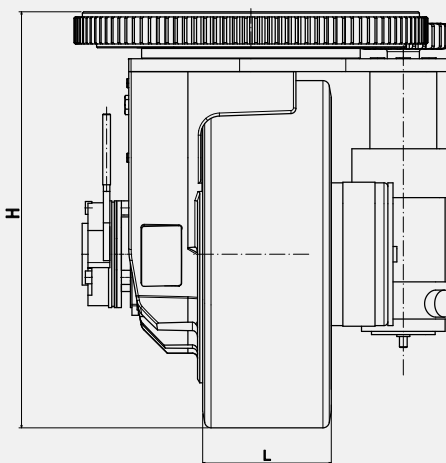
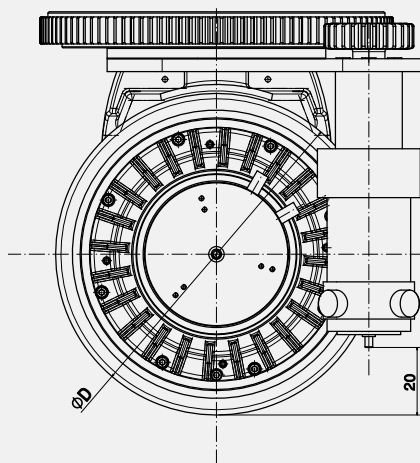


EBo 270S



APPLICATION

MAX LOAD ON THE WHEEL (KG)

1200



TECHNICAL SPECIFICATIONS

MAX LOAD ON THE WHEEL	1200 kg	TRACTION MOTOR	1200W 24V DC SEM
AVAILABLE TIRES DIMENSIONS ØDXL	Polyurethane Ø250X75		1200W 24V AC
	Vulkollan Ø270X100	STEERING MOTOR	180W 24V DC PM
MAX SPEED	5 Km/h		180W 24V AC
REDUCTION RATIO	1:34.5	EM PARKING BRAKE	5/10 Nm
MAX CONTINUOUS OUTPUT TORQUE	80 Nm		24V/48V DC
MAX PEAK OUTPUT TORQUE	110 Nm	HEIGHT H	326 mm with Ø270 tire
			316 mm with Ø250 tire