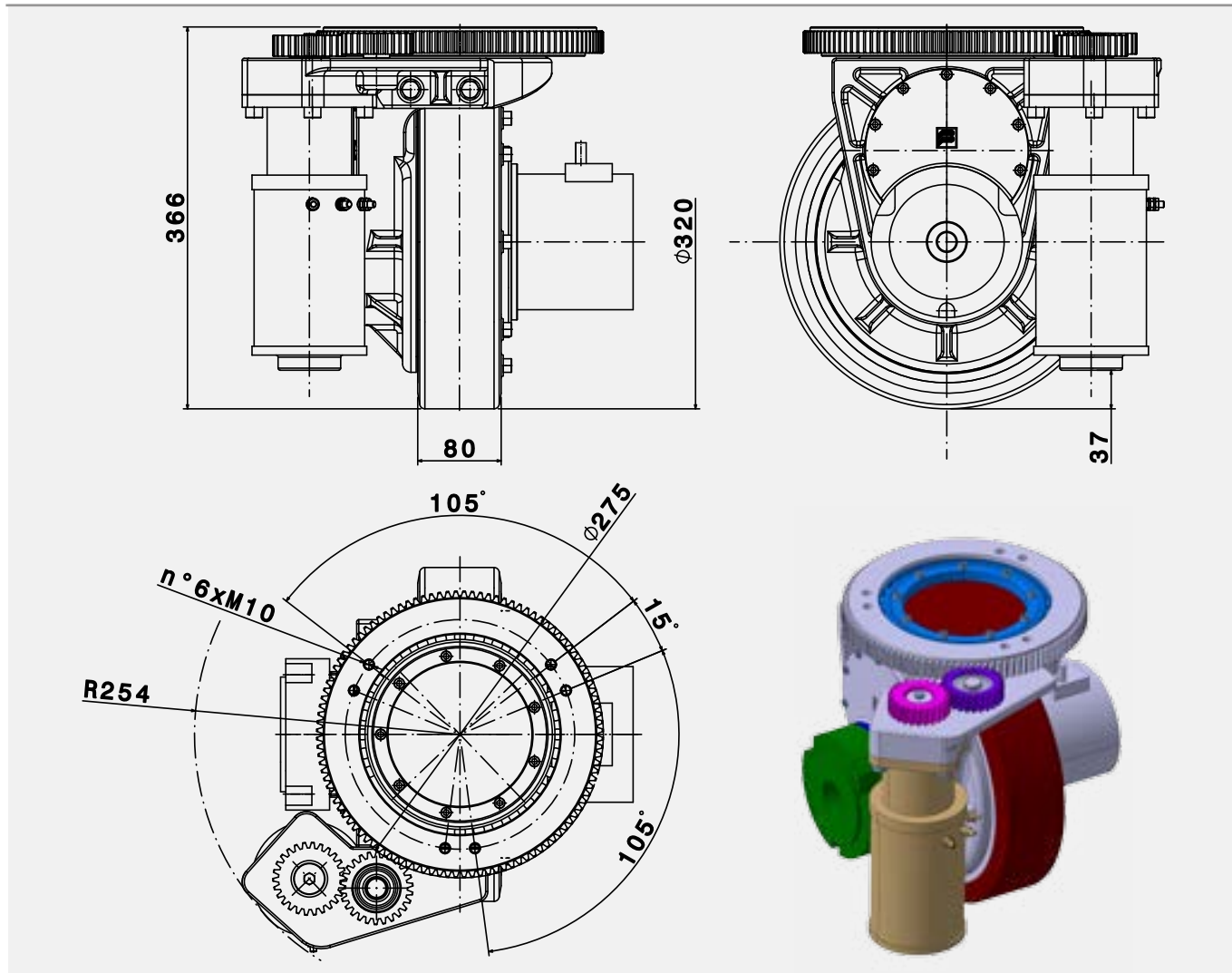


# EBo 320



## APPLICATION

MAX LOAD ON THE WHEEL (KG)

1650



## TECHNICAL SPECIFICATIONS

|                       |              |                  |             |
|-----------------------|--------------|------------------|-------------|
| MAX LOAD ON THE WHEEL | 1.650 kg     | STEERING MOTOR   | 400W 24V AC |
| TIRE MATERIAL         | Vulkollan    |                  | 400W 48V AC |
| MAX SPEED             | 10 km/h      | EM PARKING BRAKE | 20Nm 24V DC |
| REDUCTION RATIO       | 1:18.5       |                  | 20Nm 48V DC |
| TRACTION MOTOR        | 2.6kW 24V AC |                  | 40Nm 24V DC |
|                       | 2.6KW 48V AC |                  | 40Nm 48V DC |