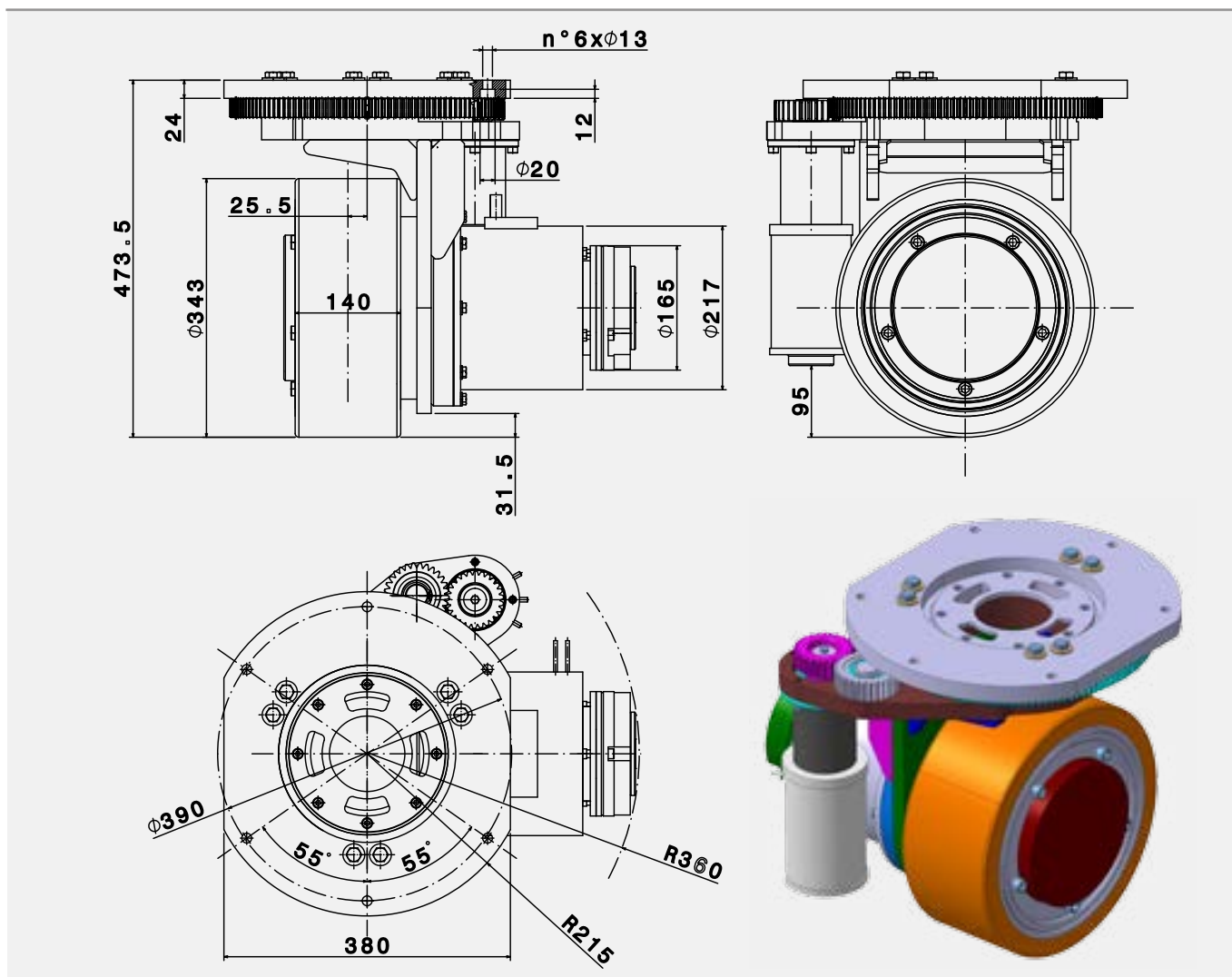


EBo 340



APPLICATION

MAX LOAD ON THE WHEEL (KG)

2200



TECHNICAL SPECIFICATIONS

MAX LOAD ON THE WHEEL (KG)	2.200 kg	TRACTION MOTOR	3kW 48V AC
TIRE MATERIAL	Vulkollan		2.500rpm
MAX SPEED	5 km/h	STEERING MOTOR	400W 48V AC
REDUCTION RATIO	1:52	EM PARKING BRAKE	75Nm 48V DC