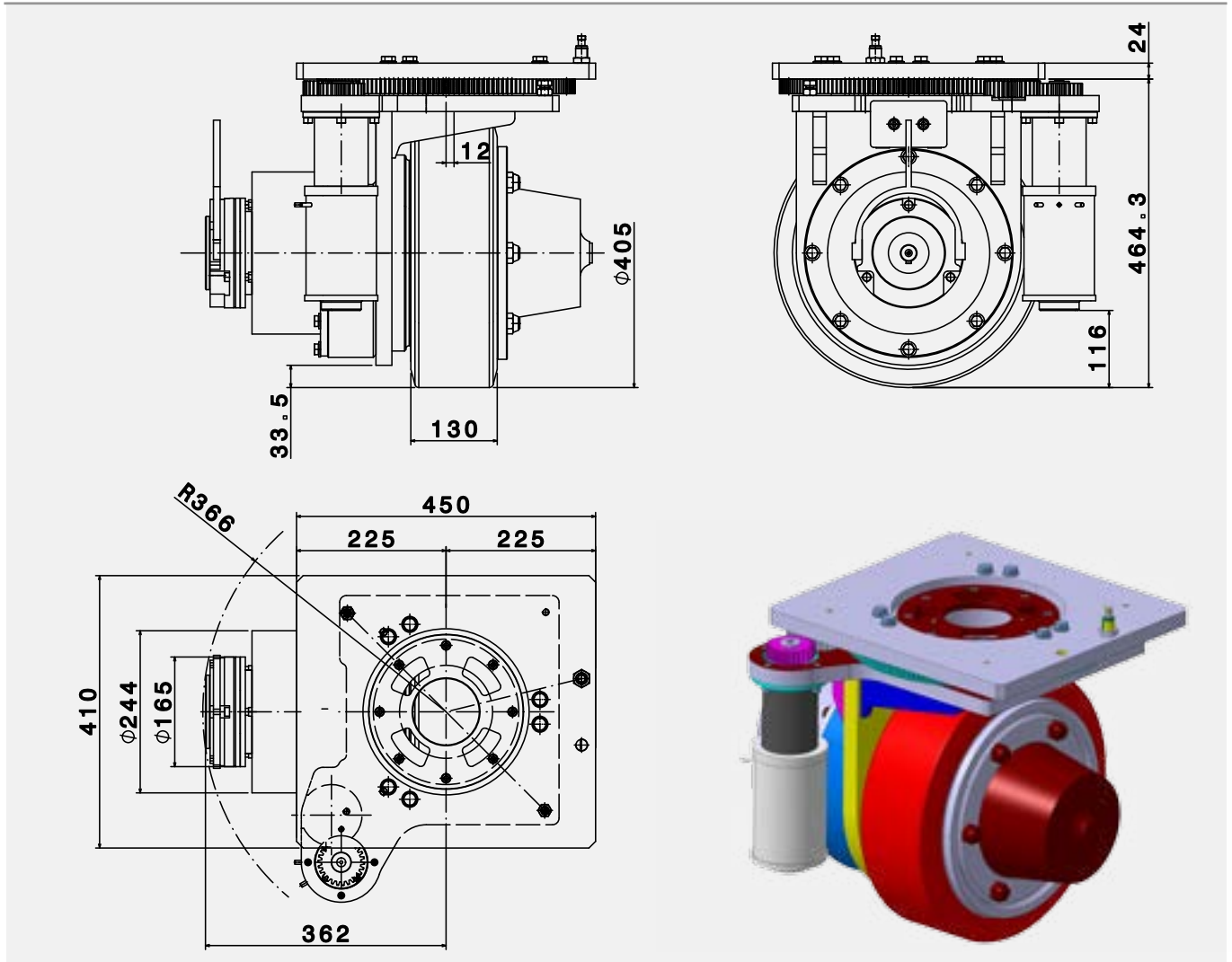


EBo 405



APPLICATION

MAX LOAD ON THE WHEEL (KG)



TECHNICAL SPECIFICATIONS

MAX LOAD ON THE WHEEL	Up to 5.500 kg	STEERING MOTOR	600W 80V AC
AVAILABLE TIRES	Vulkollan Ø405x130		600W 40V AC
	Vulkollan Ø405x180	EM PARKING BRAKE	800W 80V AC
MAX SPEED	5 km/h		800W 48V AC
REDUCTION RATIO	1:40.5		75Nm 80V DC
TRACTION MOTOR	6kW 80V AC 2.500rpm		75 Nm 48V DC
	5kW 48V AC 2.500rpm		