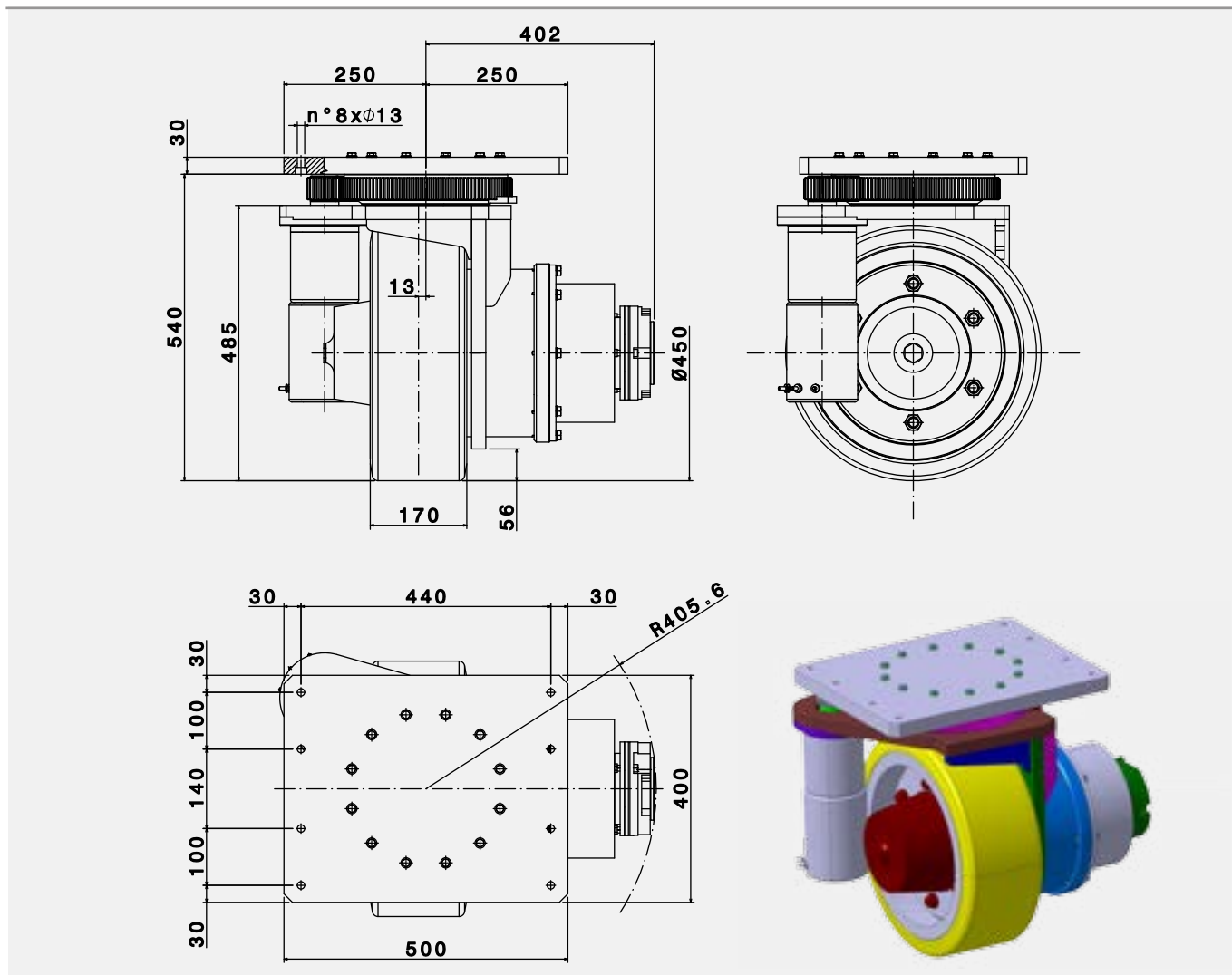


# EBo 450



## APPLICATION

MAX LOAD ON THE WHEEL (KG)



## TECHNICAL SPECIFICATIONS

MAX LOAD ON THE WHEEL	Up to 5.500 kg	STEERING MOTOR	600W 80V AC
AVAILABLE TIRES	Vulkollan Ø405x170		600W 40V AC
MAX SPEED	5 km/h		800W 80V AC
REDUCTION RATIO	1:40.5		800W 48V AC
TRACTION MOTOR	6kW 80V AC 2.500rpm	EM PARKING BRAKE	75Nm 80V DC
	5kW 48V AC 2.500rpm		75 Nm 48V DC
			100Nm 80V DC
			100Nm 48V DC