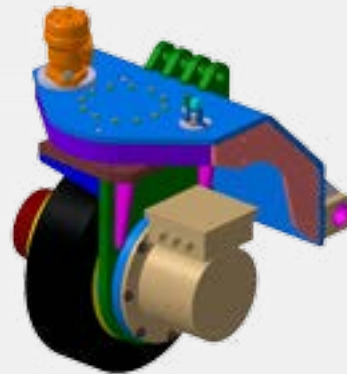
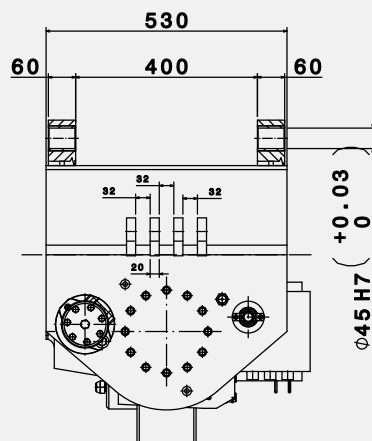
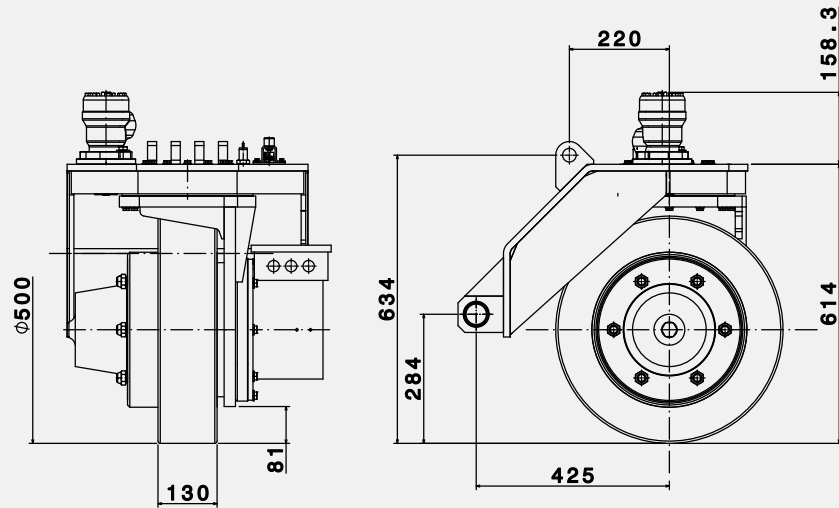


# EBo 500



## APPLICATION

MAX LOAD ON THE WHEEL (KG)



## TECHNICAL SPECIFICATIONS

MAX LOAD ON THE WHEEL	Up to 5.500 kg	STEERING MOTOR	Hydraulic from 125 up to 350cc / rev
AVAILABLE TIRES	Black rubber Ø500x130	EM PARKING BRAKE	75Nm 80V DC
	Vulkollan Ø500x150		75 Nm 48V DC
MAX SPEED	6 km/h		100Nm 80V DC
REDUCTION RATIO	1:40.5		100Nm 48V DC
TRACTION MOTOR	6kW 80V AC 2.500rpm		
	7.5kW 48V AC 2.850rpm		