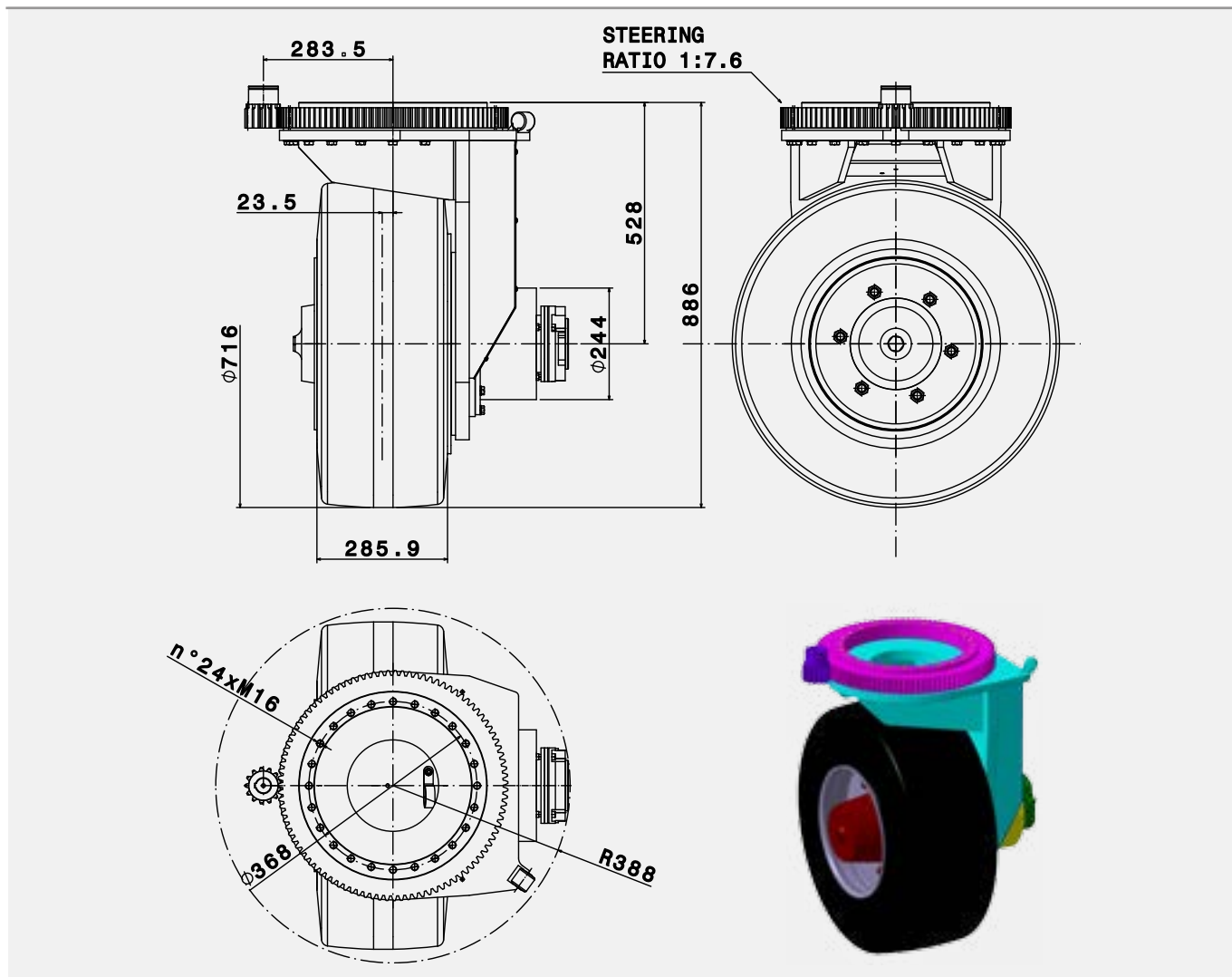


EBo 715



APPLICATION

MAX LOAD ON THE WHEEL (KG)



TECHNICAL SPECIFICATIONS

| | | | |
|-----------------------|---------------------------|------------------|--------------|
| MAX LOAD ON THE WHEEL | Up to 5.600 kg | EM PARKING BRAKE | 75Nm 80V DC |
| AVAILABLE TIRES | Superelastic 28x12.5 - 15 | | 75 Nm 48V DC |
| | Cushion Ø660x280xØ480 | | 100Nm 80V DC |
| MAX SPEED | 10 km/h | | 100Nm 48V DC |
| REDUCTION RATIO | 1:40.5 | | |
| TRACTION MOTOR | 6kW 80V AC | | |
| | 5kW 48V AC | | |
| | 7.5kW 80V AC | | |