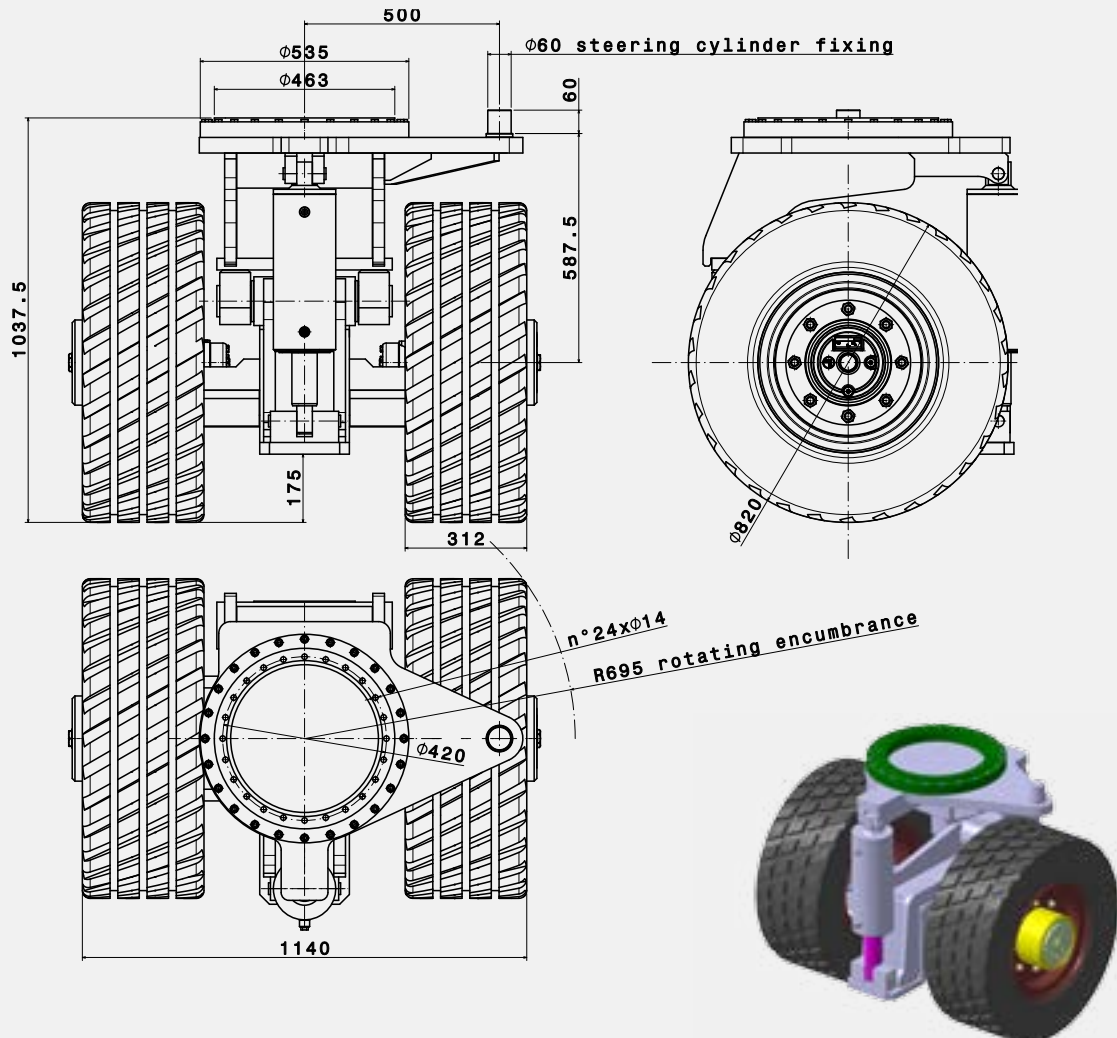


EBo 820



APPLICATION

MAX LOAD ON THE WHEEL (KG)

up to
15.000

TECHNICAL SPECIFICATIONS

MAX LOAD ON THE WHEEL	Up to 15.000 kg	TRACTION MOTOR	N°2 hydraulic orbital motor
AVAILABLE TIRES	Pneumatic 355/65 R15	LIFTIN CYLINDER	Ø140xØ65
MAX SPEED	3 km/h	WORKING PRESSURE RATED LOAD	7.5kW 80V AC
REDUCTION RATIO	1:52	TOTAL LIFTING STROKE OF HE WHEELS	90mm (±45mm)