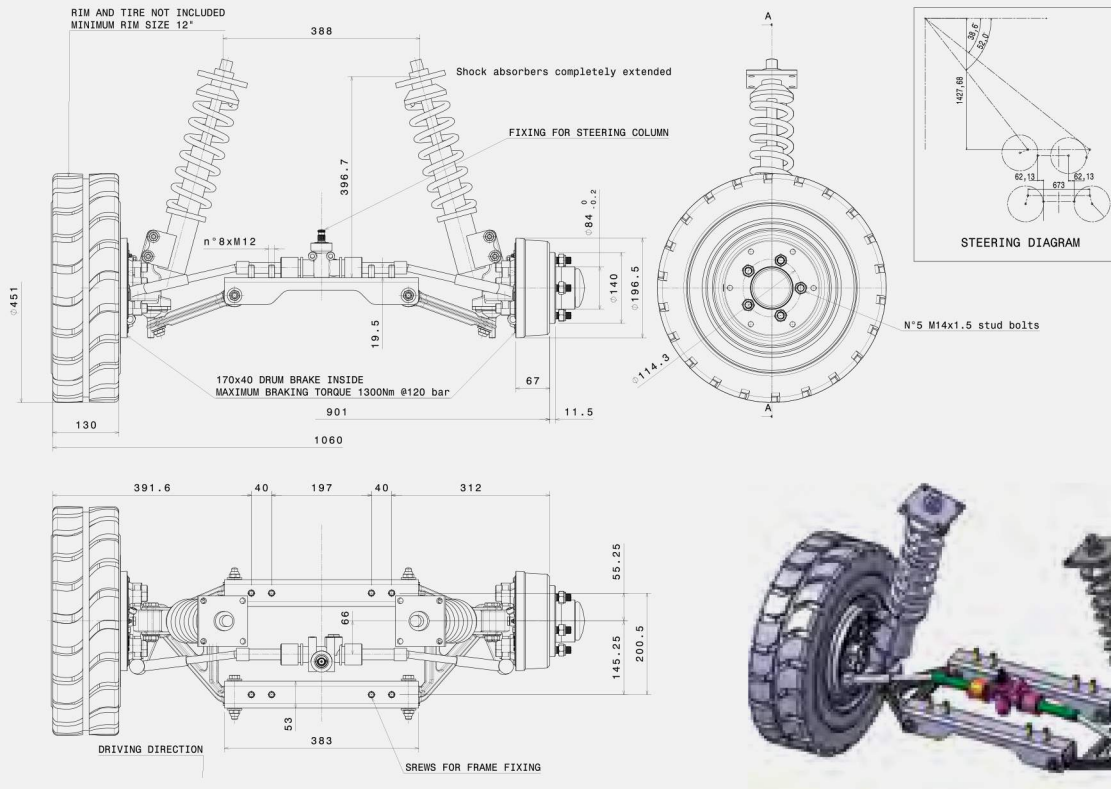


# PV 842



**MAXIMUM LOAD CAPACITY (Kg)**

600

**APPLICATION**

**TECHNICAL SPECIFICATIONS**

<b>MAX TOTAL LOAD</b>	600 Kg
<b>MAX SPEED</b>	40 Km/h
<b>SERVICE DRUM BRAKES</b>	Ø170x40

The front suspension are steering axles studied for evolved electric vehicles and automobile application.

We realize these typology of axle in order to provide our customer with a solution for their electric vehicles.

The actual Front Suspension has been studied taking in consideration the custom needs.

The Front Suspension, installed on front, can be joint to our transaxles on the rear, a mechanical differential with electric traction, so that we are able to offer you a complete range to our customers, a global solution.

We realize version like a McPherson or overlapping triangle available with disc brake or drum brake.