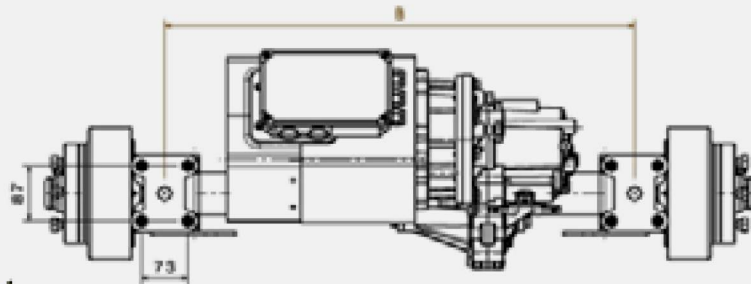
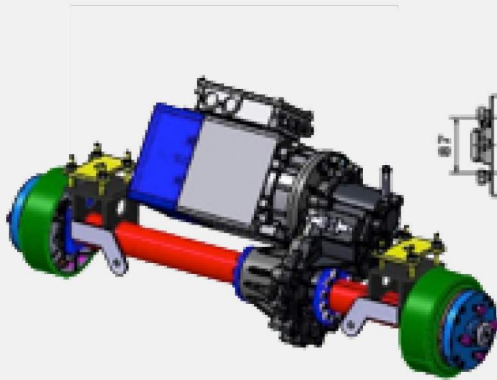
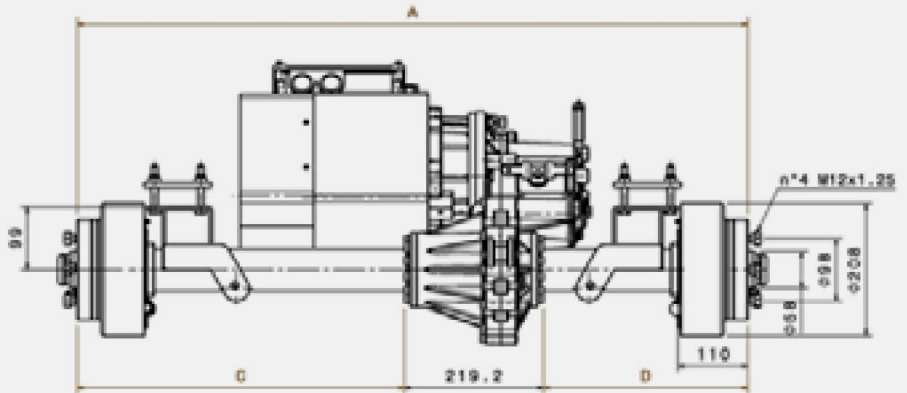
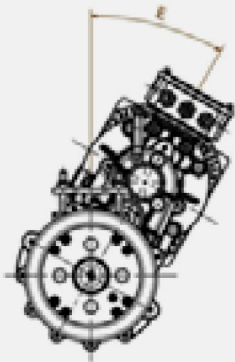


TBe450, TBe650, TBe1600



MAX OUTPUT PEAK TORQUE AT THE WHEEL (Nm)
MAXIMUM LOAD CAPACITY (Kg)

450

650

1600

APPLICATION

TECHNICAL SPECIFICATIONS

	TBe 450	TBe 650	TBe 1600
MAXIMUM TRACTION MOTOR RATED POWER	9.0 kW (*)		
AVAILABLE SUPPLY	24V, 48V, 80V AC		
AVAILABLE TRACTION MOTORS	9.0 kW 80V AC		
MAX OUTPUT PEAK TORQUE AT THE WHEEL	450 Nm	650 Nm	1600 Nm
MAX OUTPUT CONTINUOUS TORQUE AT THE WHEEL	350 Nm	450 Nm	1000 Nm
MAX RPM IN INPUT	7.000 rpm		
AVAILABLE RATIOS	2 speeds: 1:12/1:15, 1 speed: 1:12, 1:15, 1:20		
MAX LOAD ON THE AXLE (**)	1600 kg		
HYDRAULIC SERVICE DRUM BRAKE	Ø185x40		
MAX SERVICE BRAKE TORQUE	1.600Nm a 120 bar each wheel		
ELECTROMAGNETIC PARKING BRAKE	40Nm, 75Nm, 100Nm		

(*) electric traction motors are sized with a S2=60 min duty cycle
 (**) Our axles are sized with an adequate safety factor