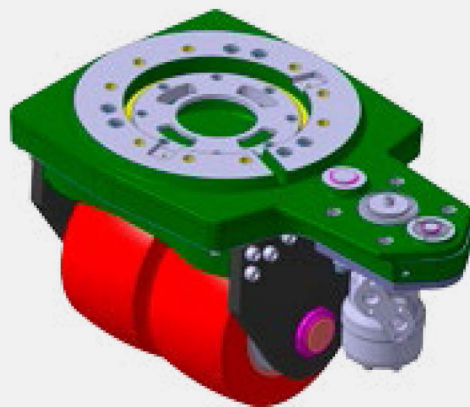
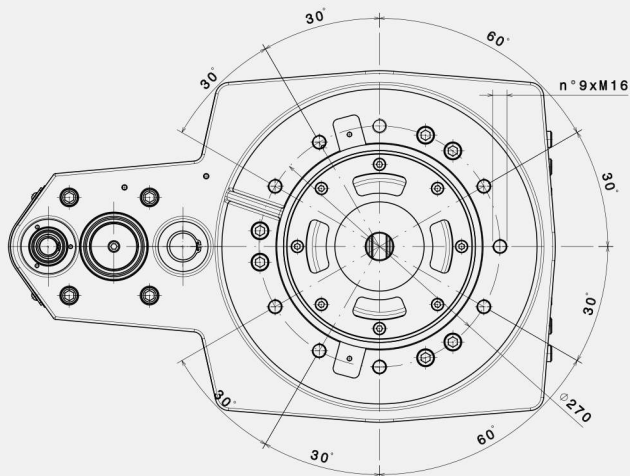
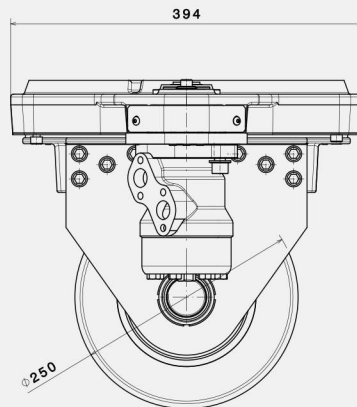
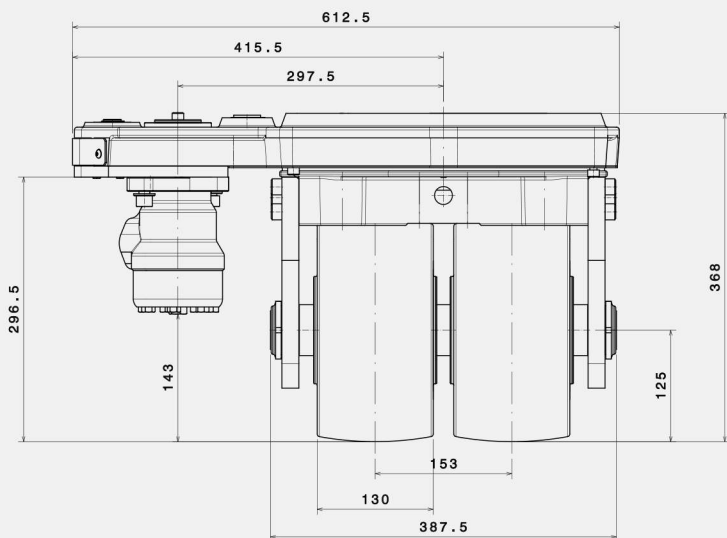


MULTIDIRECTIONAL WHEELS

EBm 248



APPLICATION

MAX LOAD ON THE WHEEL (Kg)



TECHNICAL SPECIFICATIONS

MAX LOAD ON THE WHEEL	4.800 kg at 6km/h
TIRE DIMENSION	Polyurethane / Vulkollan $\varnothing 250 \times 130$
MAX TILTING ANGLE	/
STEERING MOTOR	Orbital hydraulic motor/ Electric AC/DC, 24V, 48V, 80V
STEERING POTENTIOMETER	Included
STEERING ABSOLUTE ENCODER	On request
SERVICE DRUM BRAKES	/