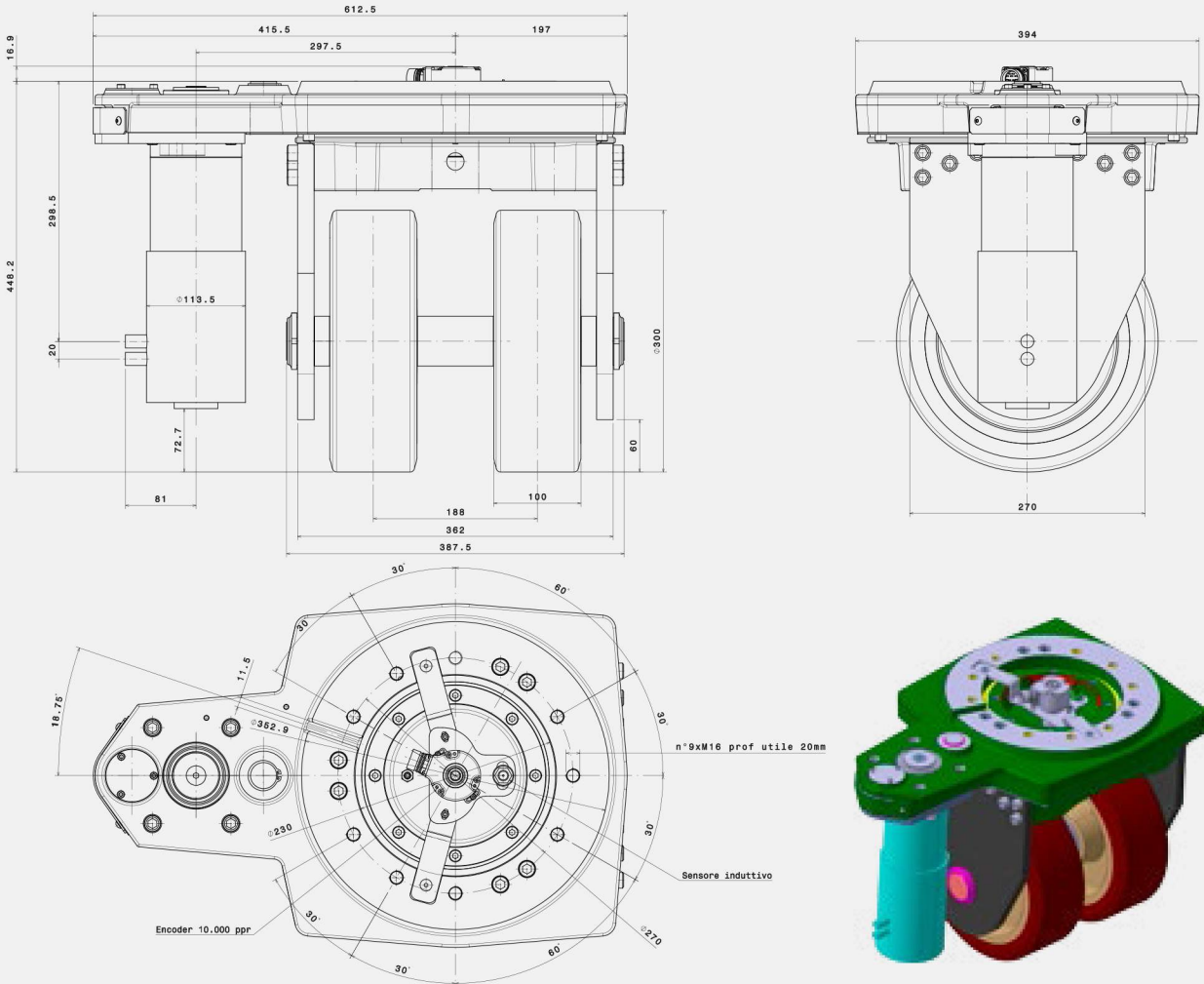


MULTIDIRECTIONAL WHEELS

EBm 300



APPLICATION

MAX LOAD ON THE WHEEL (Kg)



TECHNICAL SPECIFICATIONS

MAX LOAD ON THE WHEEL	3.000 kg at 6km/h
TIRE DIMENSION	Polyurethane / Vulkollan Ø300x100
MAX TILTING ANGLE	/
STEERING MOTOR	Orbital hydraulic motor / Electric AC/DC, 24V, 48V, 80V
STEERING POTENTIOMETER	Included
STEERING ABSOLUTE ENCODER	On request
SERVICE DRUM BRAKES	/