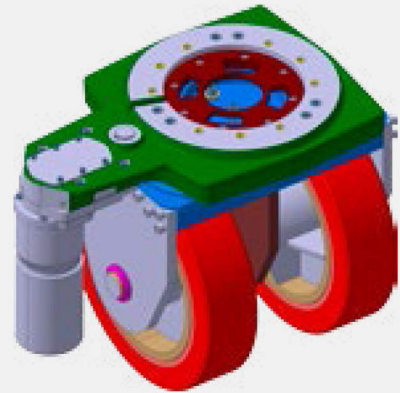
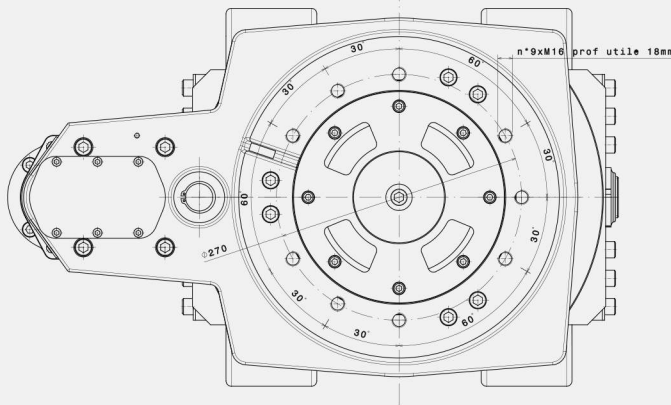
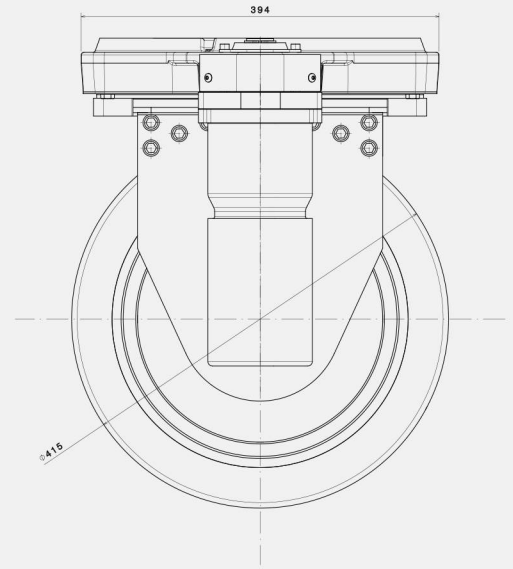
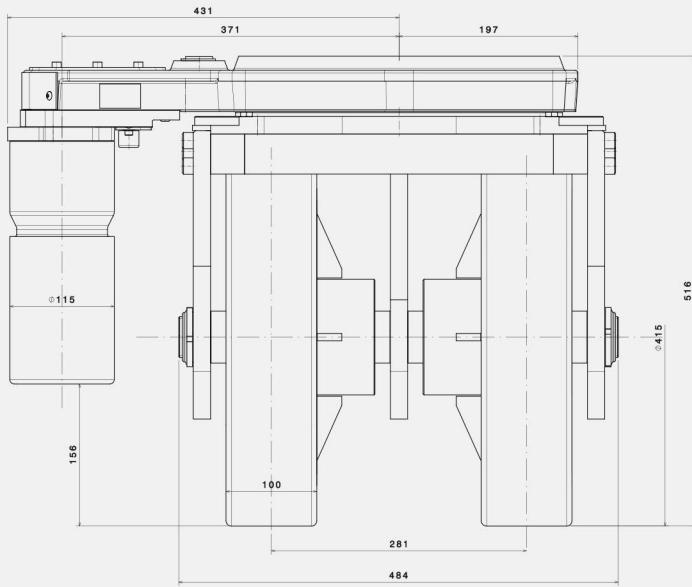


MULTIDIRECTIONAL WHEELS

EBm 406



APPLICATION

MAX LOAD ON THE WHEEL (Kg)

6000



TECHNICAL SPECIFICATIONS

MAX LOAD ON THE WHEEL	6.000 kg at 6km/h
TIRE DIMENSION	Polyurethane / Vulkollan Ø406x100
MAX TILTING ANGLE	/
STEERING MOTOR	Orbital hydraulic motor/ Electric AC/DC, 24V, 48V, 80V
STEERING POTENTIOMETER	Included
STEERING ABSOLUTE ENCODER	On request
SERVICE DRUM BRAKES	On request