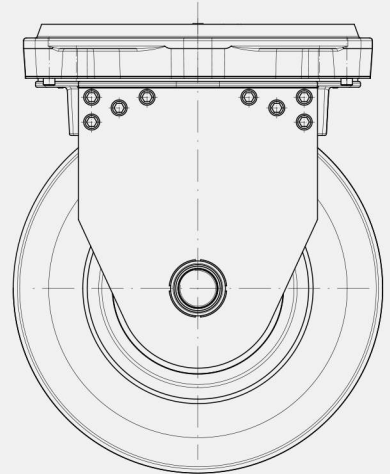
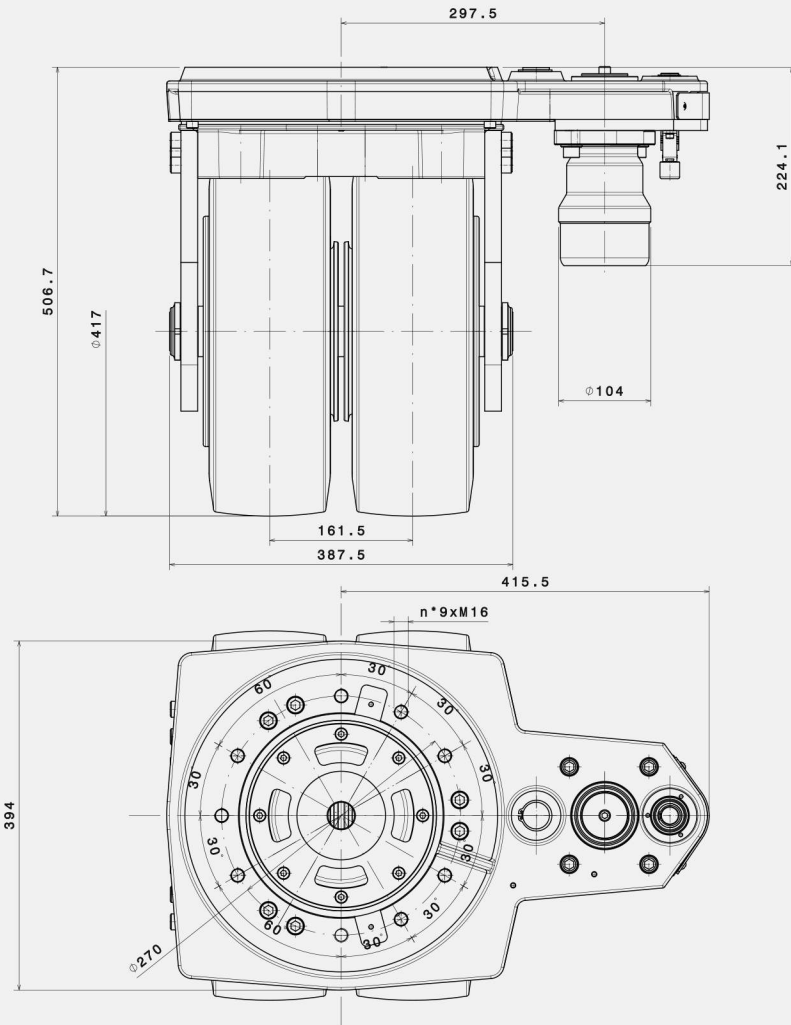


# MULTIDIRECTIONAL WHEELS

# EBm 417



## APPLICATION

MAX LOAD ON THE WHEEL (Kg)



## TECHNICAL SPECIFICATIONS

MAX LOAD ON THE WHEEL	3.000 kg at 6km/h
TIRE DIMENSION	Superelastic Ø417x164 16x6-8
MAX TILTING ANGLE	/
STEERING MOTOR	Orbital hydraulic motor/ Electric AC/DC, 24V, 48V, 80V
STEERING POTENTIOMETER	Included
STEERING ABSOLUTE ENCODER	On request
SERVICE DRUM BRAKES	On request