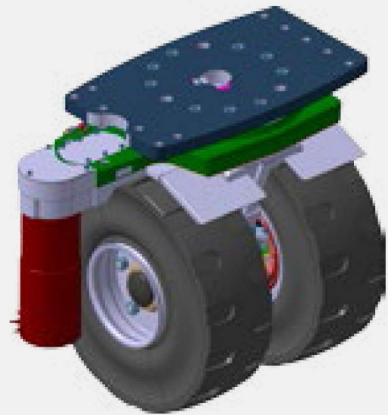
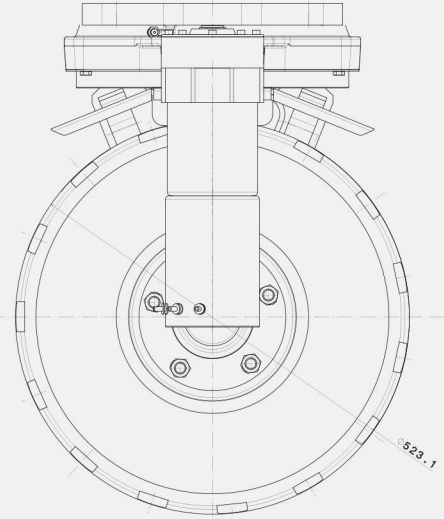
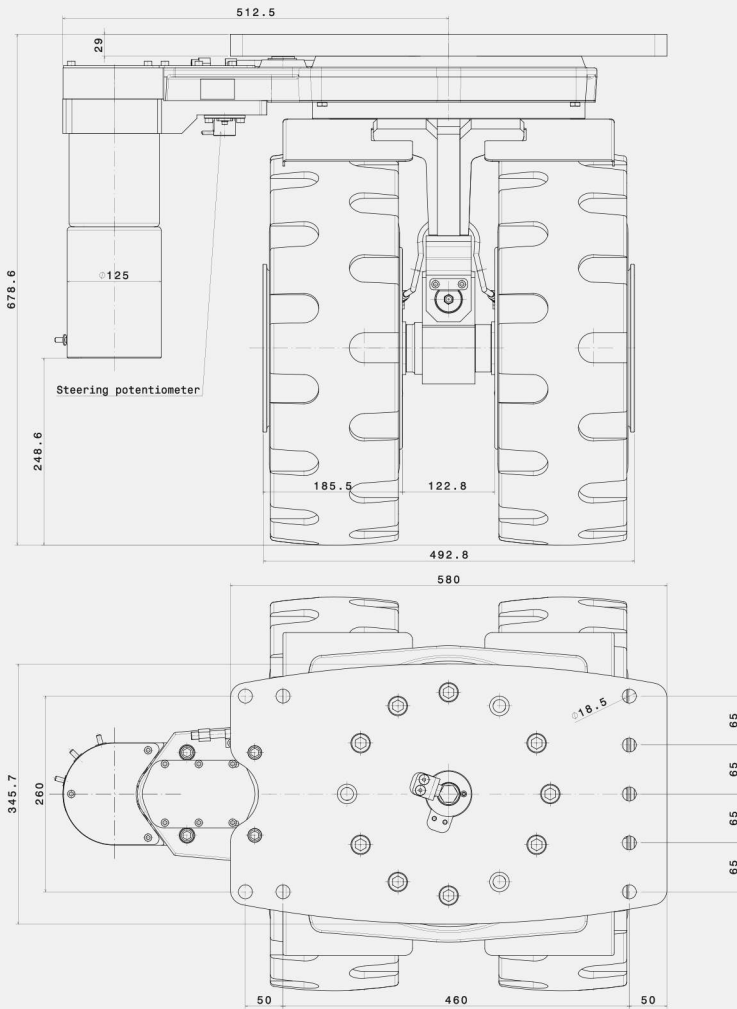


MULTIDIRECTIONAL WHEELS

EBm 525



APPLICATION

MAX LOAD ON THE WHEEL (Kg)



TECHNICAL SPECIFICATIONS

MAX LOAD ON THE WHEEL	4.000 kg at 6km/h
TIRE DIMENSION	Superelastic 0524x216 21x8-9
MAX TILTING ANGLE	±6°
STEERING MOTOR	Orbital hydraulic motor/ Electric AC/DC, 24V, 48V, 80V
STEERING POTENTIOMETER	Included
STEERING ABSOLUTE ENCODER	On request
SERVICE DRUM BRAKES	On request