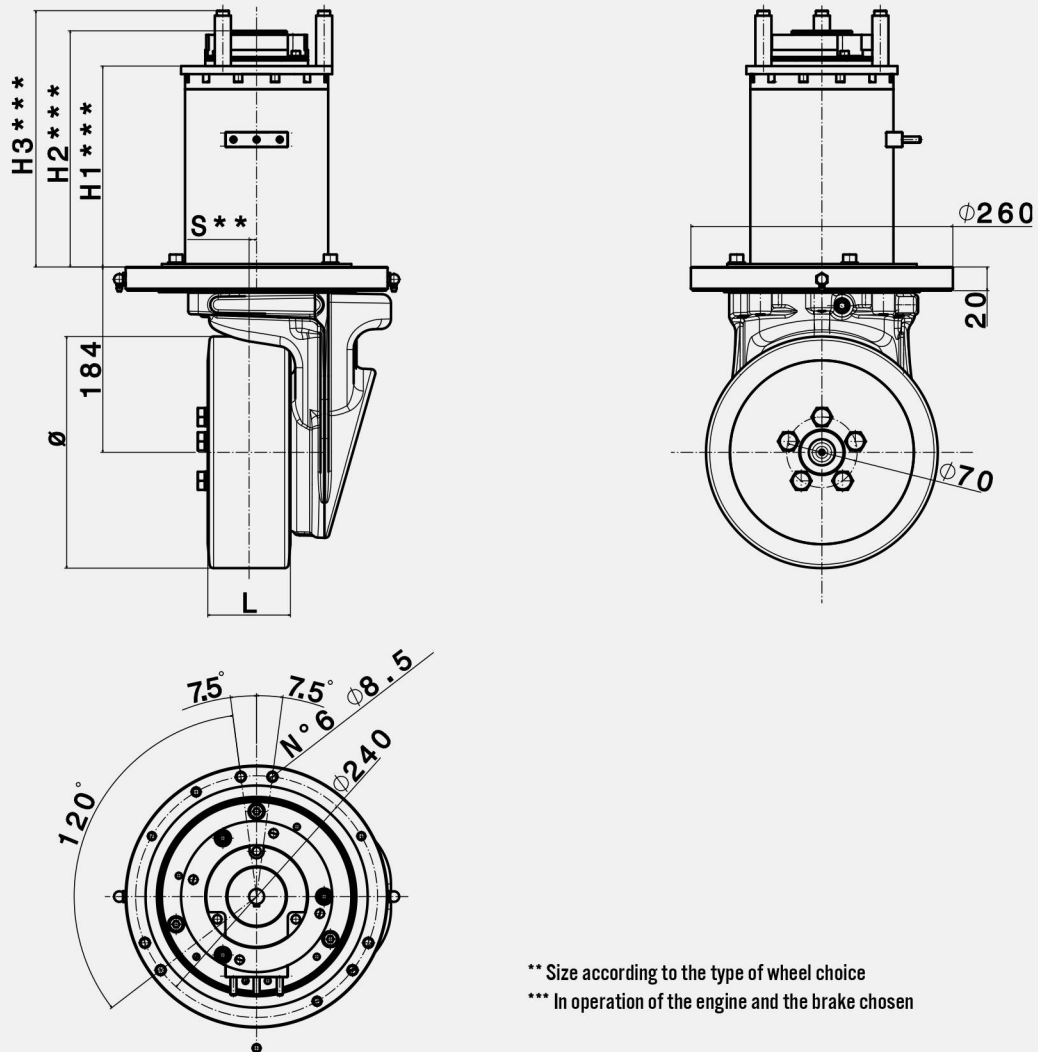


TILLER STEERING

EBv230



** Size according to the type of wheel choice
 *** In operation of the engine and the brake chosen

APPLICATION



MAXIMUM LOAD CAPACITY (Kg)

1200

TECHNICAL SPECIFICATIONS

MAXIMUM LOAD CAPACITY	1200 kg	WHEEL DIMENSION (ØxL)*	230x75 mm	230x82 mm
REDUCTION RATIO	23/32	POWER OF STEERING MOTOR	-	
MAXIMUM POWER TRACTION MOTOR	2000 W	STEERING MOTOR POWER SUPPLY (AC)	-	
SUPPLY VOLTAGE (AC)	24/48/80 V	STEERING FEEDBACK	-	
PEACK TORQUE AT THE WHEEL	500 Nm	PARKING E/M BRAKE	10/20 Nm	
CONTINUOUS TORQUE AT THE WHEEL	160 Nm	AVAILABLE TYRES	black rubber / polyurethane/ vulkolan/supertrack	

* Other types of materials and wheel at the customer's request
 Available on request with electric steering