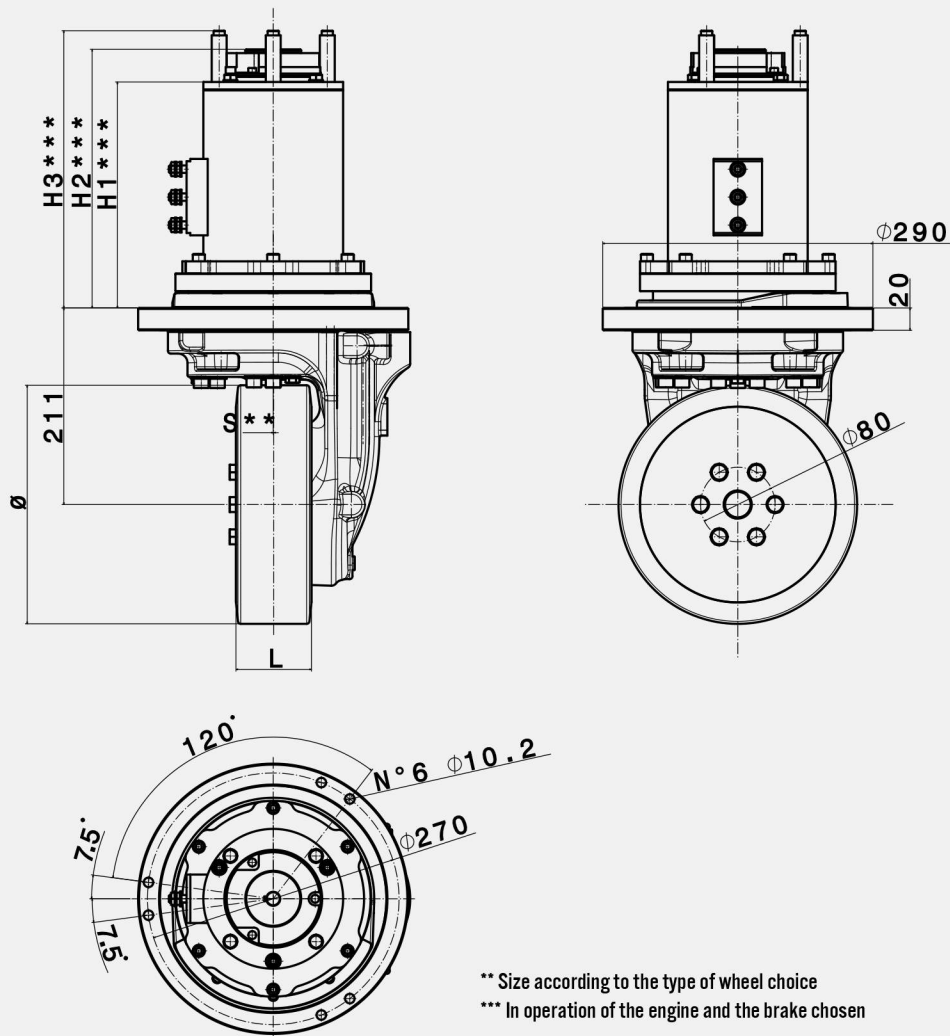


TILLER STEERING

EBv250



** Size according to the type of wheel choice
 *** In operation of the engine and the brake chosen

APPLICATION

MAXIMUM LOAD CAPACITY (Kg)

1650



TECHNICAL SPECIFICATIONS

MAXIMUM LOAD CAPACITY	1650 kg	WHEEL DIMENSION (ØxL)*	254x82 mm	254x102 mm
REDUCTION RATIO	13/18/21/24	POWER OF STEERING MOTOR	-	
MAXIMUM POWER TRACTION MOTOR	3000 W	STEERING MOTOR POWER SUPPLY (AC)	-	
SUPPLY VOLTAGE (AC)	24/48/80 V	STEERING FEEDBACK	-	
PEACK TORQUE AT THE WHEEL	650 Nm	PARKING E/M BRAKE	10/20/40 Nm	
CONTINUOUS TORQUE AT THE WHEEL	181 Nm	AVAILABLE TYRES	black rubber / polyurethane / vulkolan / supertrack	

* Other types of materials and wheel at the customer's request