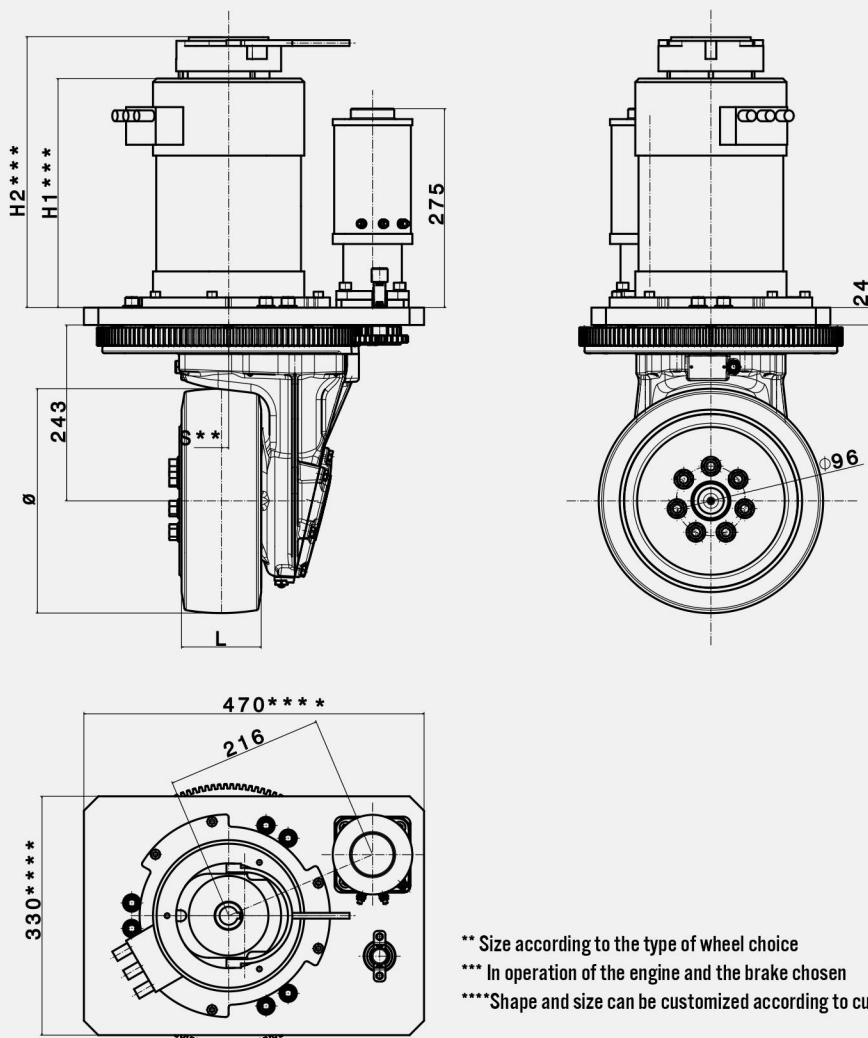


ELECTRIC STEERING

EBv310



** Size according to the type of wheel choice
 *** In operation of the engine and the brake chosen
 ****Shape and size can be customized according to customer specifications

APPLICATION

MAXIMUM LOAD CAPACITY (Kg)



TECHNICAL SPECIFICATIONS

MAXIMUM LOAD CAPACITY	2600 kg	WHEEL DIMENSION (ØxL)*	310x110 mm
REDUCTION RATIO	24	POWER OF STEERING MOTOR	400 W / 600W
MAXIMUM POWER TRACTION MOTOR	4500 W	STEERING MOTOR POWER SUPPLY (AC)	24/48/80 V
SUPPLY VOLTAGE (AC)	24/48/80 V	STEERING FEEDBACK	Rotary potentiometer /Steering sensor
PEACK TORQUE AT THE WHEEL	1100 Nm	PARKING E/M BRAKE	20/40 Nm
CONTINUOUS TORQUE AT THE WHEEL	400 Nm	AVAILABLE TYRES	black rubber /polyurethane /vulkan /supertrack

* Other types of materials and wheel at the customer's request