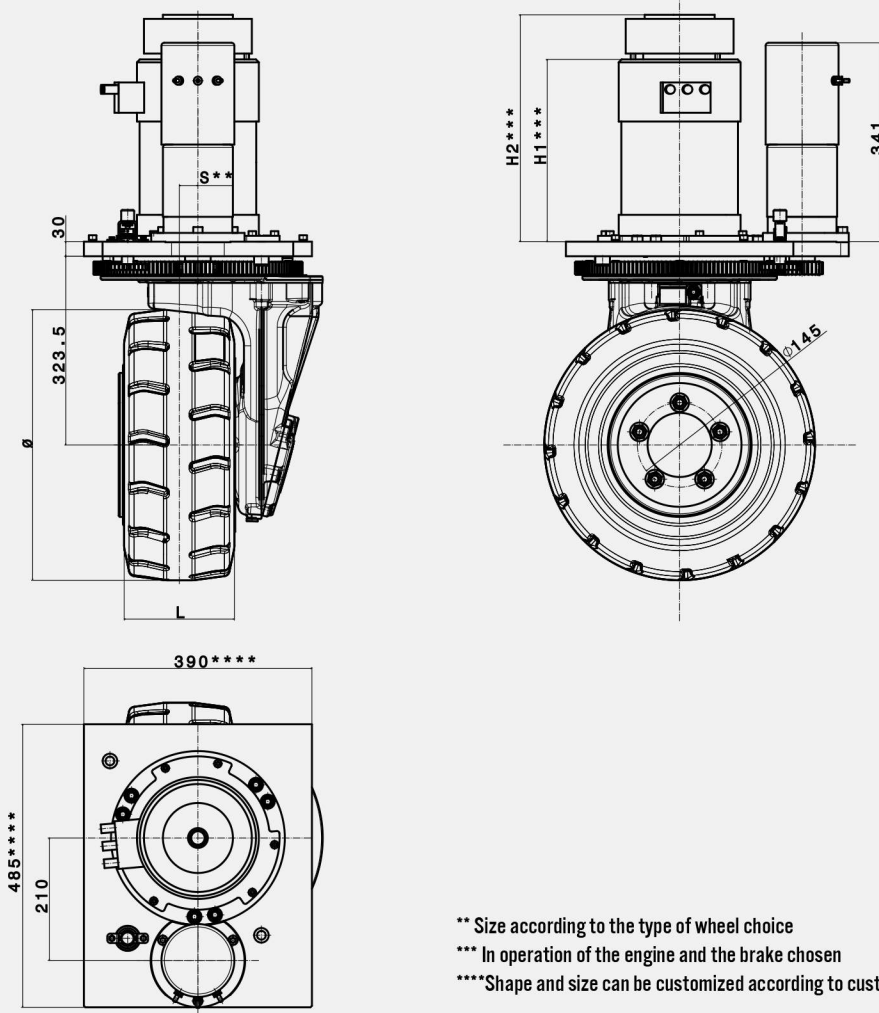


ELECTRIC STEERING

EBv475



** Size according to the type of wheel choice
 *** In operation of the engine and the brake chosen
 ****Shape and size can be customized according to customer specifications

APPLICATION

MAXIMUM LOAD CAPACITY (Kg)



TECHNICAL SPECIFICATIONS

MAXIMUM LOAD CAPACITY	3400 kg	WHEEL DIMENSION (ØxL)*	458x187 mm	455x146 mm
REDUCTION RATIO	13/22/25	POWER OF STEERING MOTOR	600 W	
MAXIMUM POWER TRACTION MOTOR	6000 W	STEERING MOTOR POWER SUPPLY (AC)	24/48/80 V	
SUPPLY VOLTAGE (AC)	24/48/80 V	STEERING FEEDBACK	Rotary potentiometer /Steering sensor	
PEACK TORQUE AT THE WHEEL	1400 Nm	PARKING E/M BRAKE	40/75 Nm	
CONTINUOUS TORQUE AT THE WHEEL	453 Nm	AVAILABLE TYRES	black rubber / polyurethane / vulkolan / supertrack / superelastic	

* Other types of materials and wheel at the customer's request