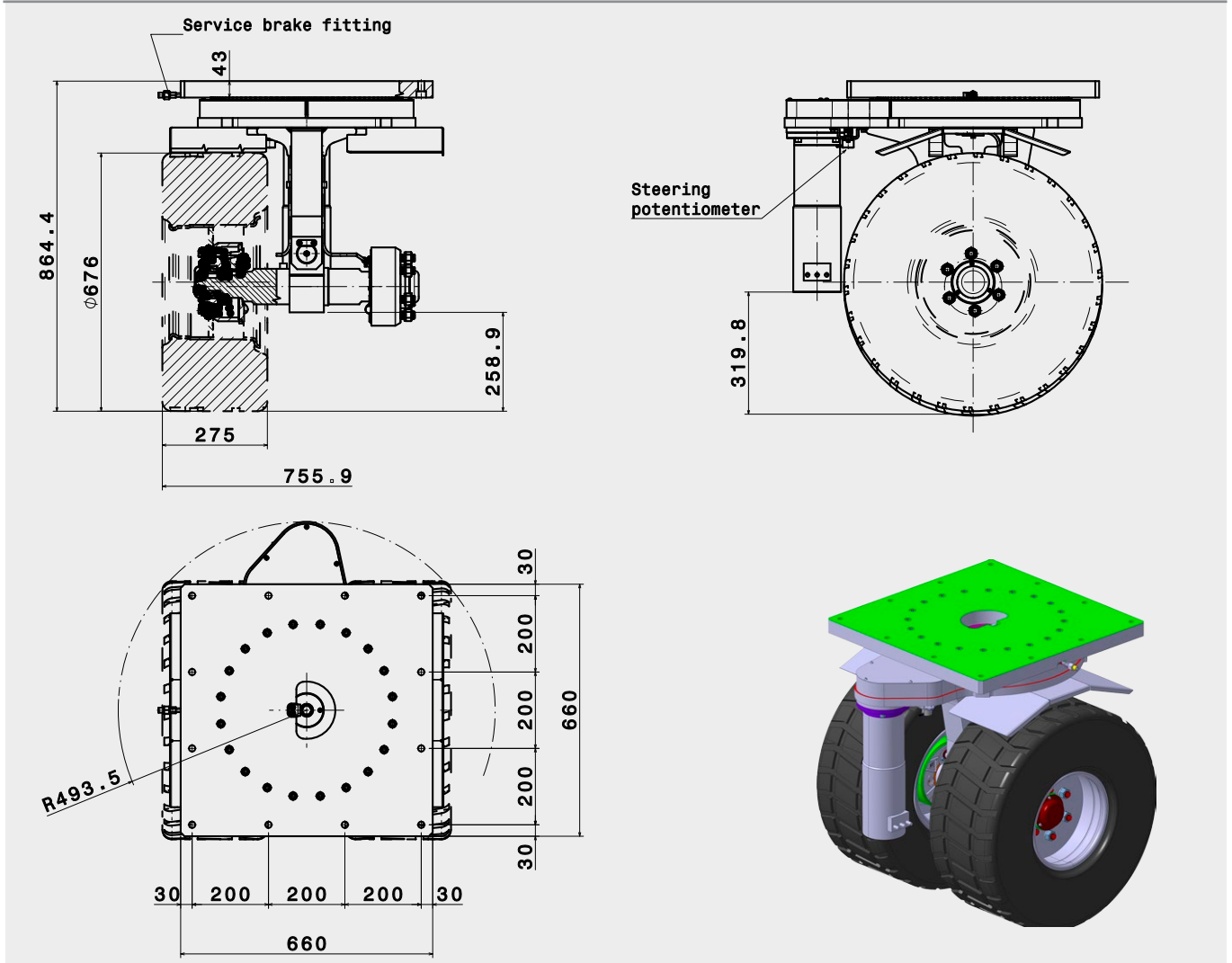


MULTIDIRECTIONAL WHEELS

EBm 676



APPLICATION

MAX LOAD ON THE WHEEL (Kg)

6000



TECHNICAL SPECIFICATIONS

MAX LOAD ON THE WHEEL	6.000 kg at 8km/h
TIRE DIMENSION	Superelastic 0676x275 27x10-12 mm
MAX TILTING ANGLE	±6°
STEERING MOTOR	Orbital hydraulic motor/ Electric AC/DC, 24V, 48V, 80V
STEERING POTENTIOMETER	Included
STEERING ABSOLUTE ENCODER	On request
SERVICE DRUM BRAKES	Ø185x40 mm