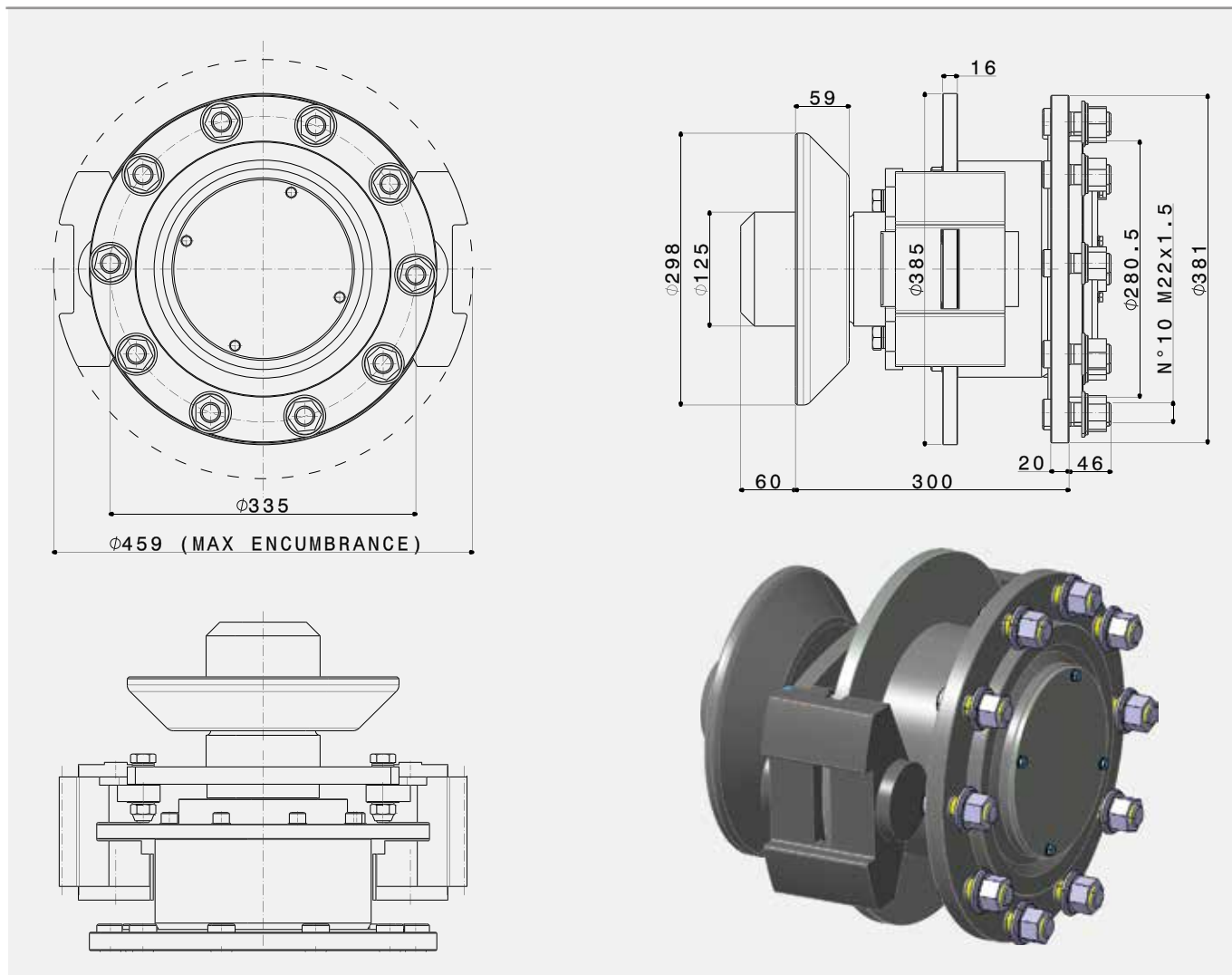


FIXED HUB

444030000



APPLICATION

MAX LOAD ON THE HUB (Kg)

9500



TECHNICAL SPECIFICATIONS

MAX LOAD ON THE HUB	9500 Kg @ 10Km/h
MINIMUM WHEEL	22 inch wheel
TOTAL BRAKING TORQUE	9600 Nm @ 150 bar