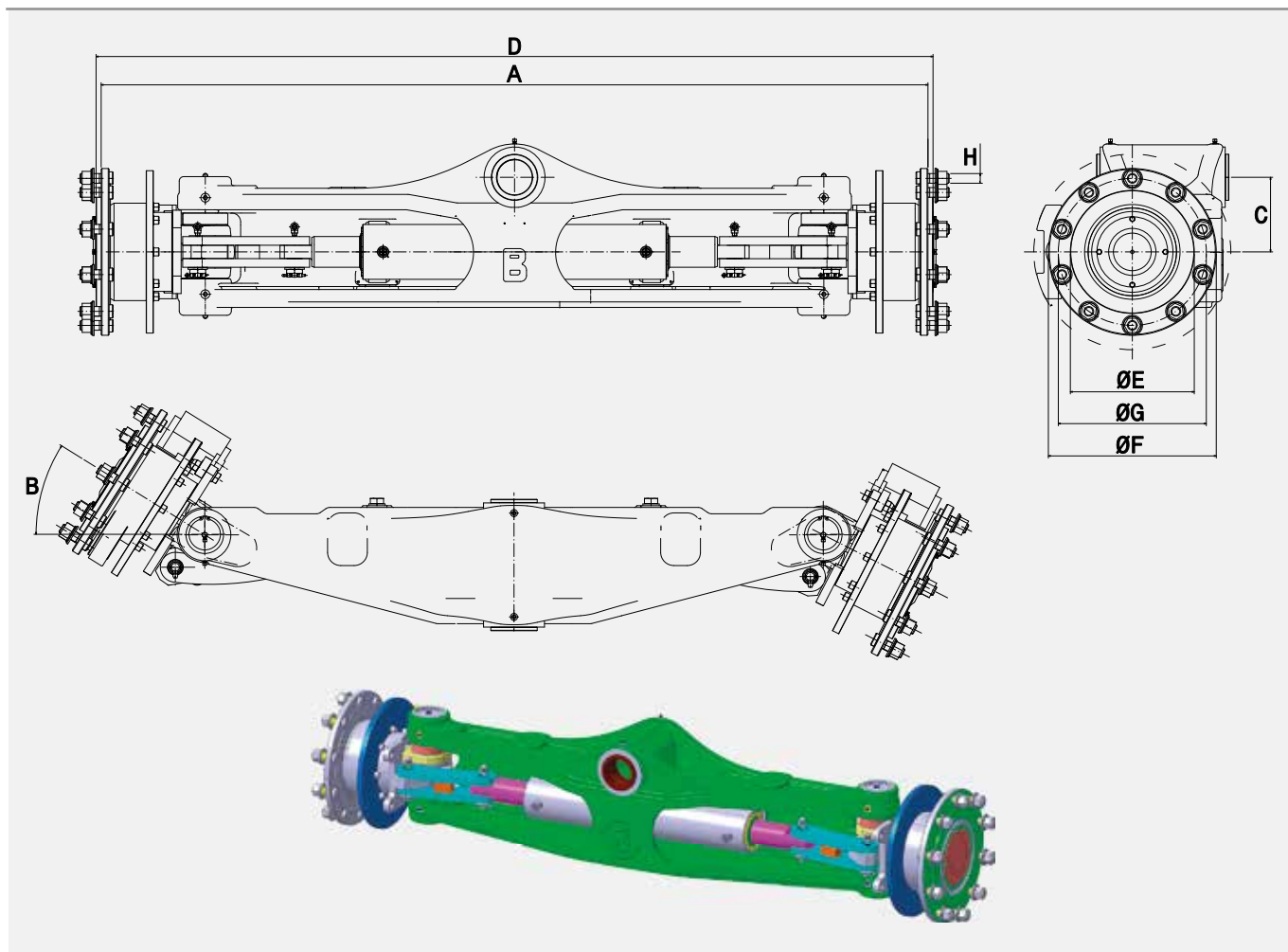


HYDRAULIC STEERING AXLES

LOAD CAPACITY OVER 15.000 KGS



APPLICATIONS



TECHNICAL SPECIFICATIONS

CODE	Load capacity tons	A	B	C	D	ØE	ØF	ØG	H	Vehicle wheel base	Available devices
855010000	16.0	1871	32°	170	1927	280.5	380	335	N°10 m22x1.5 stud bolts	3840	Disk brakes
836010000	16.0	1528	68°	110	1564	220.5	320	275	N°8 m22x1.5 stud bolts	2650	
444050000	17.0	1710	60°	170	1897	220.5	330	275	N°8 m22x1.5 stud bolts	3600	
845050000	18.0	1388	73°	110	1424	220.5	320	275	N°8 m22x1.5 stud bolts	2730	
444080000	20.0	2880	70°	160	3154	280.8	381	335	N°10 m22x1.5 stud bolts	3386	
633030000	40.0	1580	75°	132.7	1994	440	560	500	N°20 m22x1.5 stud bolts	2970	

Note: We design and build steering axles customized to our customers' needs. To request a customization contact sales@borghiassali.it