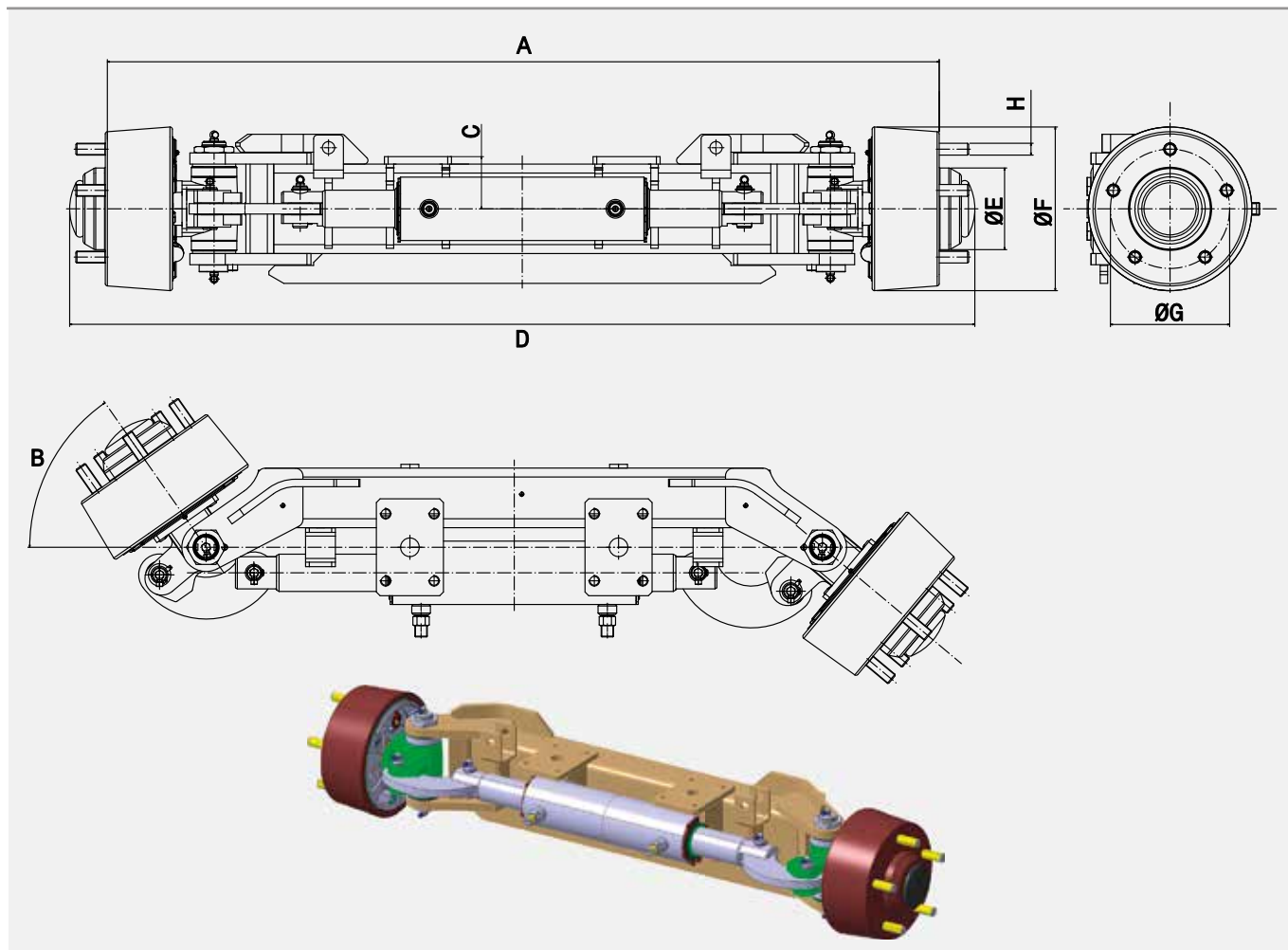


HYDRAULIC STEERING AXLES

LOAD CAPACITY
FROM 3.000 KGS TO 5.000 KGS



APPLICATIONS



TECHNICAL SPECIFICATIONS

CODE	Load capacity tons	A	B	C	D	ØE	ØF	ØG	H	Vehicle wheel base	Available devices
492070000	4.0	1119	55°	70	1215	109.5	219.5	160	N°5 5/8" UNF stud bolts	1670	Drum brakes
511070000	5.0	1628	75°	/	1789	160	278	205	N°6 M18x1.5 stud bolts	2520	Drum brakes
511080000	5.0	1828	75°	/	1989	160	278	205	N°6 M18x1.5 stud bolts	2520	Drum brakes
511090000	5.0	2028	75°	/	2189	160	278	205	N°6 M18x1.5 stud bolts	2520	Drum brakes

Note: We design and build steering axles customized to our customers' needs. To request a customization contact sales@borghiassali.it