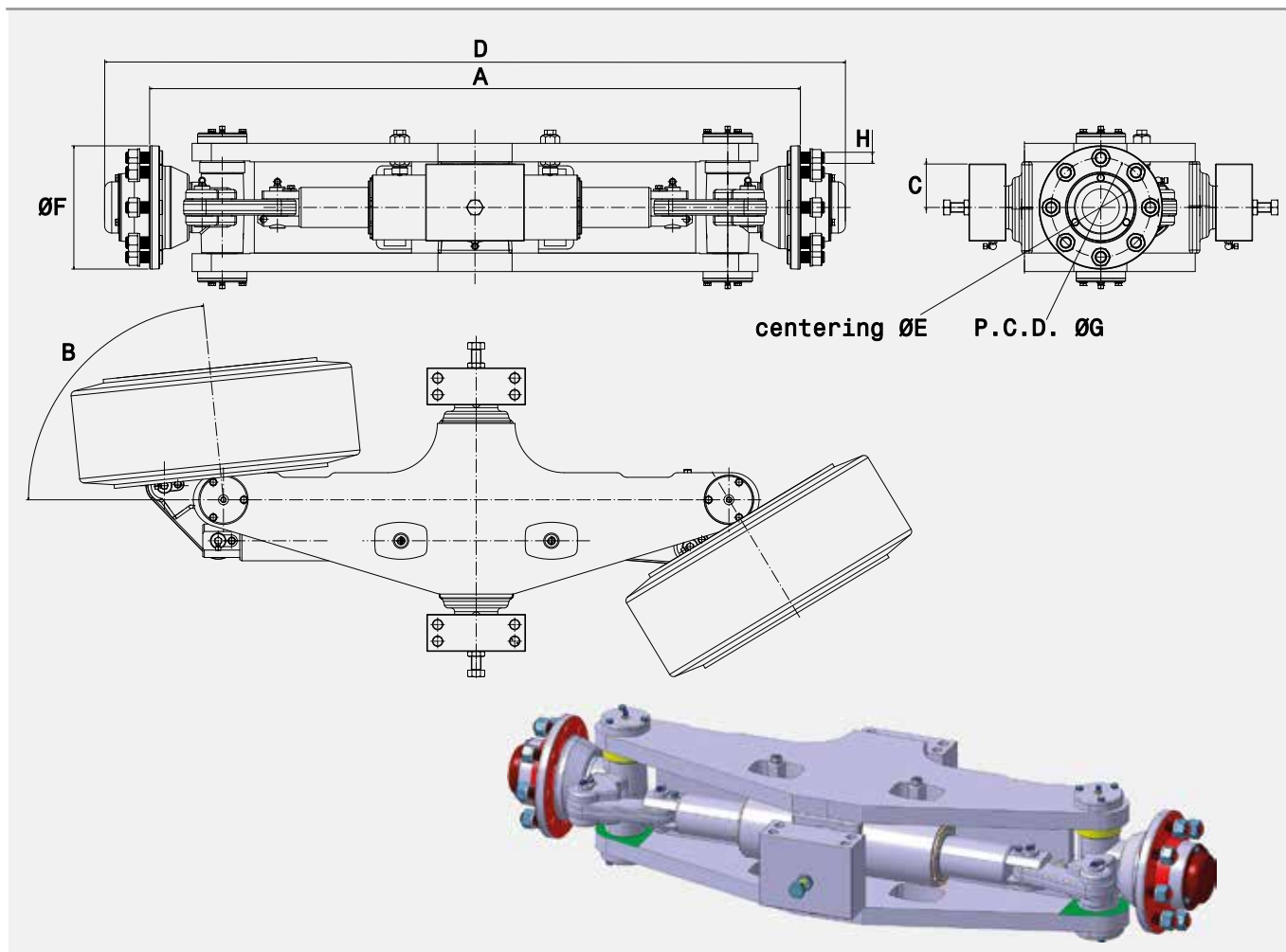


# HYDRAULIC STEERING AXLES

LOAD CAPACITY  
FROM 5.000 KGS TO 9.000 KGS



## APPLICATIONS



### TECHNICAL SPECIFICATIONS

CODE	Load capacity tons	A	B	C	D	ØE	ØF	ØG	H	Vehicle wheel base	Available devices
356060000	5.2	1325	84°	70.5	1452	113	200	161	N°8 M18x1.5 holes	2150	
074080000	5.2	1125	84°	/	1252	113	200	161	N°8 M18x1.5 holes	1750	
845010000	5.2	1055	84°	70.5	1201	113	200	161	N°8 M18x1.5 stud bolts	1640	
500020000	8.0	1550	90°	136	1587	220.5	326	275	N°8 M20x1.5 stud bolts	2000	

Note: We design and build steering axles customized to our customers' needs. To request a customization contact [sales@borghiassali.it](mailto:sales@borghiassali.it)