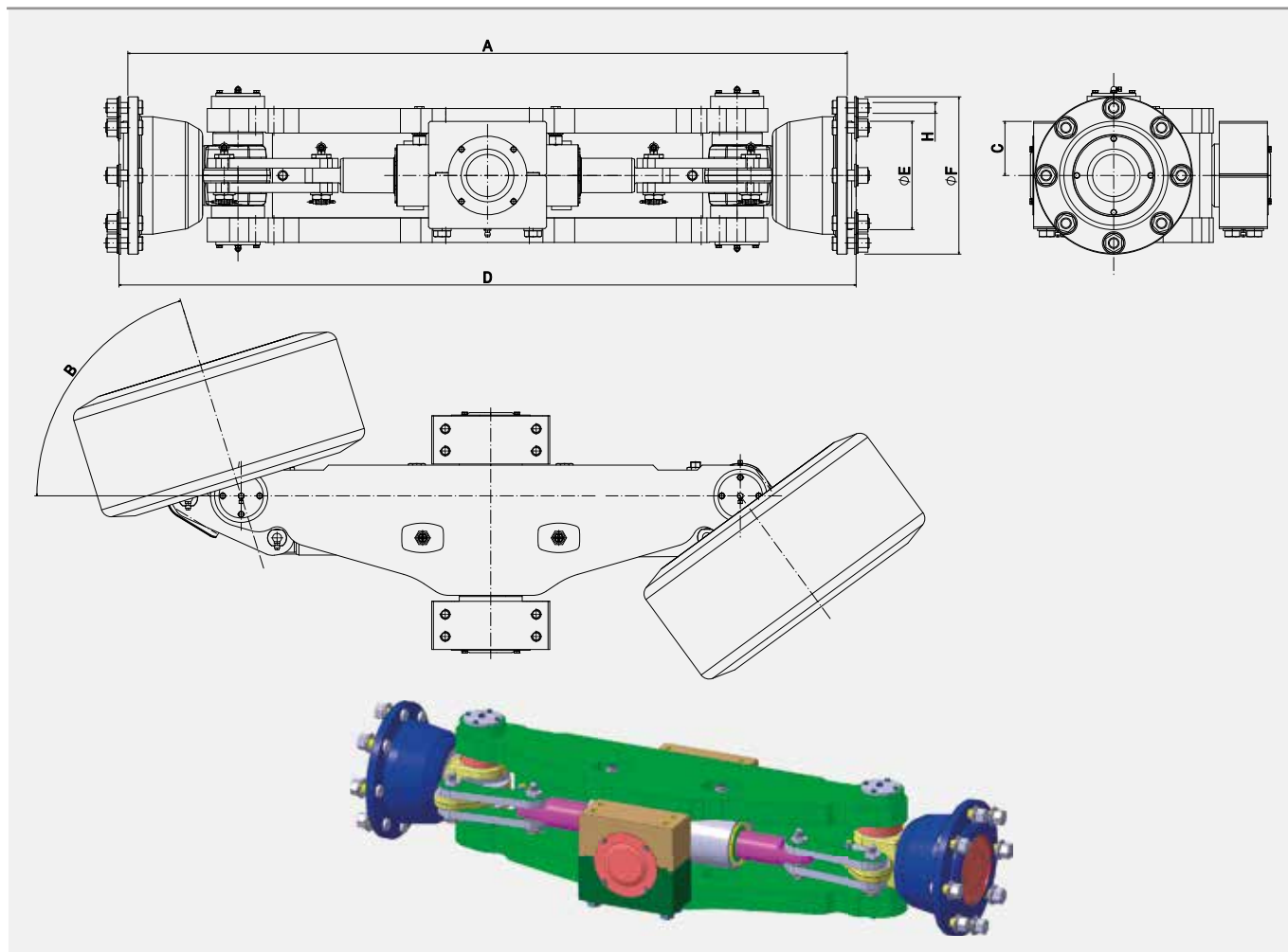


HYDRAULIC STEERING AXLES

LOAD CAPACITY
FROM 9.000 KGS TO 15.000 KGS



APPLICATIONS



TECHNICAL SPECIFICATIONS

CODE	Load capacity tons	A	B	C	D	ØE	ØF	ØG	H	Vehicle wheel base	Available devices
845040000	11.5	1161	70°	110	1360	220.5	317.5	275	N°8 M22x1.5	1900	/
626010000	14.0	1664	66°	150	1702	220.5	326	275	N°8 M22x1.5	2800	Disk brakes
444010000	14.0	1845	71°	/	/	220.5	326	275	N°8 M22x1.5	4950	Disk brakes
845020000	14.0	1463	73°	110	1552	220.5	320	275	N°8 M22x1.5	2400	/

Note: We design and build steering axles customized to our customers' needs. To request a customization contact sales@borghiassali.it